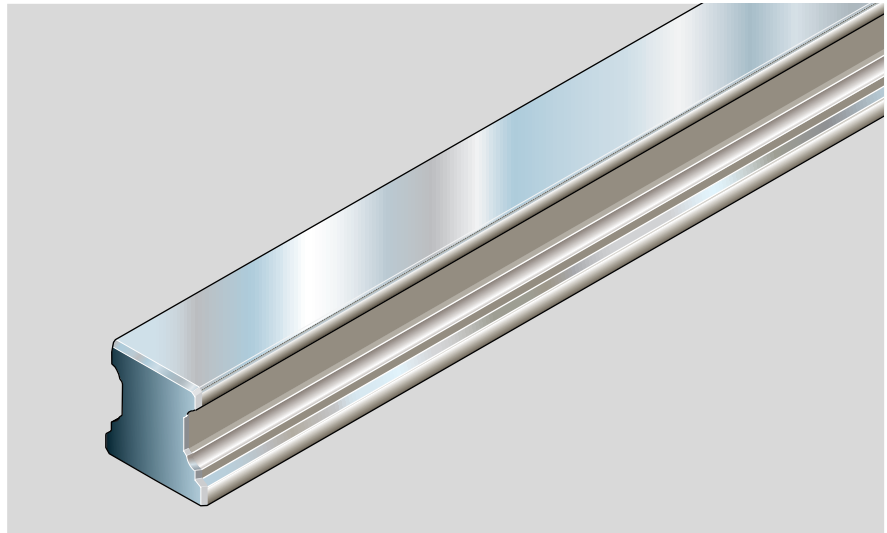


Rexroth Ball Rail Systems

Standard Guide Rails

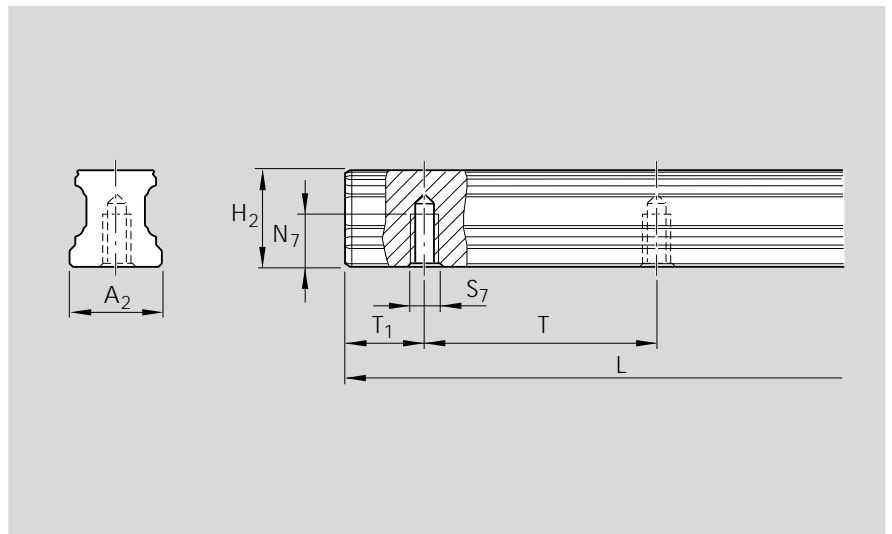
Guide rail 1607-
For mounting from below



Part numbers and rail lengths

Size	Accuracy class	Guide rail		Spacing T (mm)	Recommended rail length						
		one-part Part number, Rail length L (mm)	composite Part number, Number of sections Rail length L (mm)		Number of holes n_B / Rail length L (mm)						
15	UP	1607-109-31,.....	1607-109-3,.....	60							
	SP	1607-101-31,.....	1607-101-3,.....								
	P	1607-102-31,.....	1607-102-3,.....								
	H	1607-103-31,.....	1607-103-3,.....								
	N	1607-104-31,.....	1607-104-3,.....								
20	UP	1607-809-31,.....	1607-809-3,.....		2 / 116	7 / 416	12 / 716	20 / 1196	40 / 2396		
	SP	1607-801-31,.....	1607-801-3,.....		3 / 176	8 / 476	13 / 776	22 / 1316	50 / 2996		
	P	1607-802-31,.....	1607-802-3,.....		4 / 236	9 / 536	14 / 836	25 / 1496	60 / 3596		
	H	1607-803-31,.....	1607-803-3,.....		5 / 296	10 / 596	16 / 956	30 / 1796	66 / 3956		
	N	1607-804-31,.....	1607-804-3,.....		6 / 356	11 / 656	18 / 1076	35 / 2096			
25	UP	1607-209-31,.....	1607-209-3,.....		For size 15: max. 50/2996						
	SP	1607-201-31,.....	1607-201-3,.....								
	P	1607-202-31,.....	1607-202-3,.....								
	H	1607-203-31,.....	1607-203-3,.....								
	N	1607-204-31,.....	1607-204-3,.....								
30	UP	1607-709-31,.....	1607-709-3,.....	80							
	SP	1607-701-31,.....	1607-701-3,.....								
	P	1607-702-31,.....	1607-702-3,.....								
	H	1607-703-31,.....	1607-703-3,.....								
	N	1607-704-31,.....	1607-704-3,.....								
35	UP	1607-309-31,.....	1607-309-3,.....		2 / 156	7 / 556	12 / 956	20 / 1596	40 / 3196		
	SP	1607-301-31,.....	1607-301-3,.....		3 / 236	8 / 636	13 / 1036	22 / 1756	50 / 3996		
	P	1607-302-31,.....	1607-302-3,.....		4 / 316	9 / 716	14 / 1116	25 / 1996			
	H	1607-303-31,.....	1607-303-3,.....		5 / 396	10 / 796	16 / 1276	30 / 2396			
	N	1607-304-31,.....	1607-304-3,.....		6 / 476	11 / 876	18 / 1436	35 / 2796			
45	UP	1607-409-31,.....	1607-409-3,.....		105						
	SP	1607-401-31,.....	1607-401-3,.....								
	P	1607-402-31,.....	1607-402-3,.....								
	H	1607-403-31,.....	1607-403-3,.....								
	N	1607-404-31,.....	1607-404-3,.....								
55	UP	1607-509-31,.....	1607-509-3,.....	120							
	SP	1607-501-31,.....	1607-501-3,.....								
	P	1607-502-31,.....	1607-502-3,.....								
	H	1607-503-31,.....	1607-503-3,.....								
	N	1607-504-31,.....	1607-504-3,.....								
65	UP	1607-609-31,.....	1607-609-3,.....			150					
	SP	1607-601-31,.....	1607-601-3,.....								
	P	1607-602-31,.....	1607-602-3,.....								
	H	1607-603-31,.....	1607-603-3,.....								
	N	1607-604-31,.....	1607-604-3,.....								

Dimensions and masses



Size	Dimension (mm)								Mass (kg/m)
	A_2	H_2	N_7	S_7	$T_{1s.1}^{+0.5}$	T_{1min}	T	L_{max}	
15	15	16.20	7.5	M5	28.0	10	60	4000	1.4
20	20	20.55	9.0	M6	28.0	10	60	4000	2.4
25	23	24.25	12.0	M6	28.0	10	60	4000	3.2
30	28	28.35	15.0	M8	38.0	12	80	4000	5.0
35	34	31.85	15.0	M8	38.0	12	80	4000	6.8
45	45	39.85	19.0	M12	50.5	16	105	4000	10.5
55	53	47.85	22.0	M14	58.0	18	120	4000	16.2
65	63	59.85	25.0	M16	73.0	20	150	4000	22.4