

Rexroth Ball Rail Systems

Standard Guide Rails

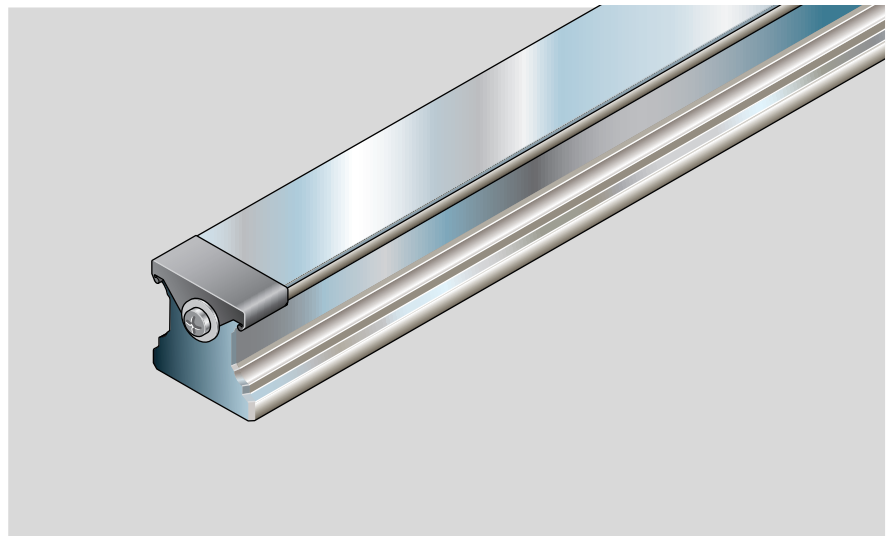
Guide rails 1605-.6. -

For mounting from above,
with rail seal and screw-down
protective caps

- Plastic protective caps
- Guide rail with front face threaded mounting holes

Note

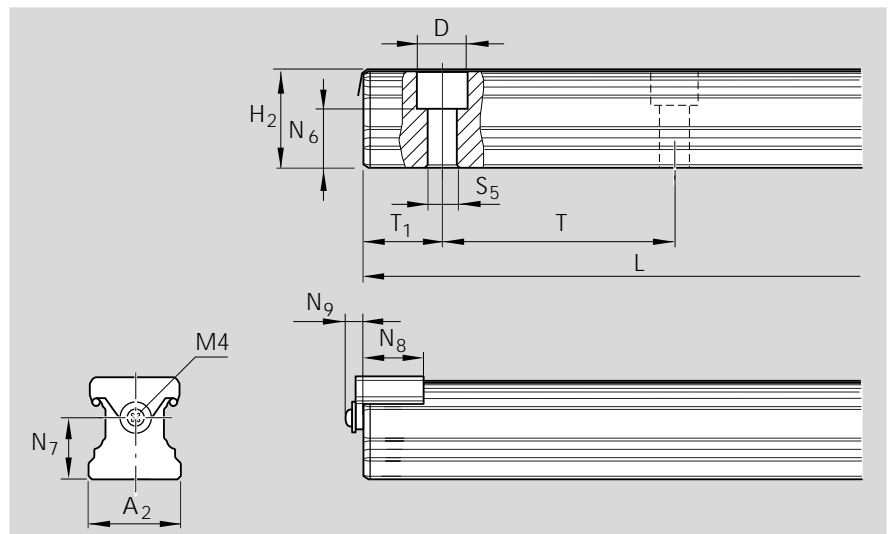
The guide rails are also available as composite rails, see Ordering Example 3.



Part numbers and rail lengths

Size	Accuracy class	Guide rail		Spacing T (mm)	Recommended rail length																
		one-part Part number, Rail length L (mm)	composite Part number, Number of sections Rail length L (mm)		Number of holes n_B / Rail length L (mm)																
15	UP	1605-169-31,....	1605-169-3,.....	60	2 / 116 7 / 416 12 / 716 20 / 1196 40 / 2396 3 / 176 8 / 476 13 / 776 22 / 1316 50 / 2996 4 / 236 9 / 536 14 / 836 25 / 1496 60 / 3596 5 / 296 10 / 596 16 / 956 30 / 1796 66 / 3956 6 / 356 11 / 656 18 / 1076 35 / 2096 For size 15: max. 50/2996																
	SP	1605-161-31,....	1605-161-3,.....																		
	P	1605-162-31,....	1605-162-3,.....																		
	H	1605-163-31,....	1605-163-3,.....																		
	N	1605-164-31,....	1605-164-3,.....																		
20	UP	1605-869-31,....	1605-869-3,.....																		
	SP	1605-861-31,....	1605-861-3,.....																		
	P	1605-862-31,....	1605-862-3,.....																		
	H	1605-863-31,....	1605-863-3,.....																		
	N	1605-864-31,....	1605-864-3,.....																		
25	UP	1605-269-31,....	1605-269-3,.....																		
	SP	1605-261-31,....	1605-261-3,.....																		
	P	1605-262-31,....	1605-262-3,.....																		
	H	1605-263-31,....	1605-263-3,.....																		
	N	1605-264-31,....	1605-264-3,.....																		
30	UP	1605-769-31,....	1605-769-3,.....	80	2 / 156 7 / 556 12 / 956 20 / 1596 40 / 3196 3 / 236 8 / 636 13 / 1036 22 / 1756 50 / 3996 4 / 316 9 / 716 14 / 1116 25 / 1996 5 / 396 10 / 796 16 / 1276 30 / 2396 6 / 476 11 / 876 18 / 1436 35 / 2796																
	SP	1605-761-31,....	1605-761-3,.....																		
	P	1605-762-31,....	1605-762-3,.....																		
	H	1605-763-31,....	1605-763-3,.....																		
	N	1605-764-31,....	1605-764-3,.....																		
35	UP	1605-369-61,....	1605-369-6,.....																		
	SP	1605-361-61,....	1605-361-6,.....																		
	P	1605-362-61,....	1605-362-6,.....																		
	H	1605-363-61,....	1605-363-6,.....																		
	N	1605-364-61,....	1605-364-6,.....																		
45	UP	1605-469-61,....	1605-469-6,.....							105	2 / 204 7 / 729 12 / 1254 20 / 2094 38 / 3984 3 / 309 8 / 834 13 / 1359 22 / 2304 4 / 414 9 / 939 14 / 1464 25 / 2619 5 / 519 10 / 1044 16 / 1674 30 / 3144 6 / 624 11 / 1149 18 / 1884 35 / 3669										
	SP	1605-461-61,....	1605-461-6,.....																		
	P	1605-462-61,....	1605-462-6,.....																		
	H	1605-463-61,....	1605-463-6,.....																		
	N	1605-464-61,....	1605-464-6,.....																		
55	UP	1605-569-61,....	1605-569-6,.....	120	2 / 234 7 / 834 12 / 1434 20 / 2394 3 / 354 8 / 954 13 / 1554 22 / 2634 4 / 474 9 / 1074 14 / 1674 25 / 2994 5 / 594 10 / 1194 16 / 1914 30 / 3594 6 / 714 11 / 1314 18 / 2154 33 / 3954																
	SP	1605-561-61,....	1605-561-6,.....																		
	P	1605-562-61,....	1605-562-6,.....																		
	H	1605-563-61,....	1605-563-6,.....																		
	N	1605-564-61,....	1605-564-6,.....																		
65	UP	1605-669-61,....	1605-669-6,.....													150	2 / 294 7 / 1044 12 / 1794 20 / 2994 3 / 444 8 / 1194 13 / 1944 22 / 3294 4 / 594 9 / 1344 14 / 2094 25 / 3744 5 / 744 10 / 1494 16 / 2394 26 / 3894 6 / 894 11 / 1644 18 / 2694				
	SP	1605-661-61,....	1605-661-6,.....																		
	P	1605-662-61,....	1605-662-6,.....																		
	H	1605-663-61,....	1605-663-6,.....																		
	N	1605-664-61,....	1605-664-6,.....																		

Dimensions and masses



Size	Dimension (mm)												Mass (kg/m)
	A_2	$H_2^{1)}$	$N_6^{\pm 0.5}$	$N_7^{2)}$	N_8	N_9	D	S_5	$T_{1S-1}^{+0.5}$	$T_{1 \min}$	T	$L_{\max}^{3)}$	
15	15	16.3	10.3	9.8	14.0	6.5	7.4	4.4	28.0	12	60	4000	1.4
20	20	20.7	13.2	13.0	14.0	6.5	9.4	6.0	28.0	13	60	4000	2.4
25	23	24.4	15.2	15.0	15.2	6.5	11.0	7.0	28.0	13	60	4000	3.2
30	28	28.5	17.0	18.0	15.2	7.0	15.0	9.0	38.0	16	80	4000	5.0
35	34	32.15	20.5	22.0	18.0	7.0	15.0	9.0	38.0	16	80	4000	6.8
45	45	40.15	23.5	30.0	20.0	7.0	20.0	14.0	50.5	18	105	4000	10.5
55	53	48.15	29.0	30.0	20.0	7.0	24.0	16.0	58.0	20	120	4000	16.2
65	63	60.15	38.5	40.0	20.0	7.0	26.0	18.0	73.0	21	150	4000	22.4

¹⁾ Dimension H_2 with rail seal cover strip

²⁾ Dimension H_7 with rail seal cover strip

³⁾ For sizes 20 – 45, one-piece guide rails up to approx. 6000 mm in length can be supplied in special cases.