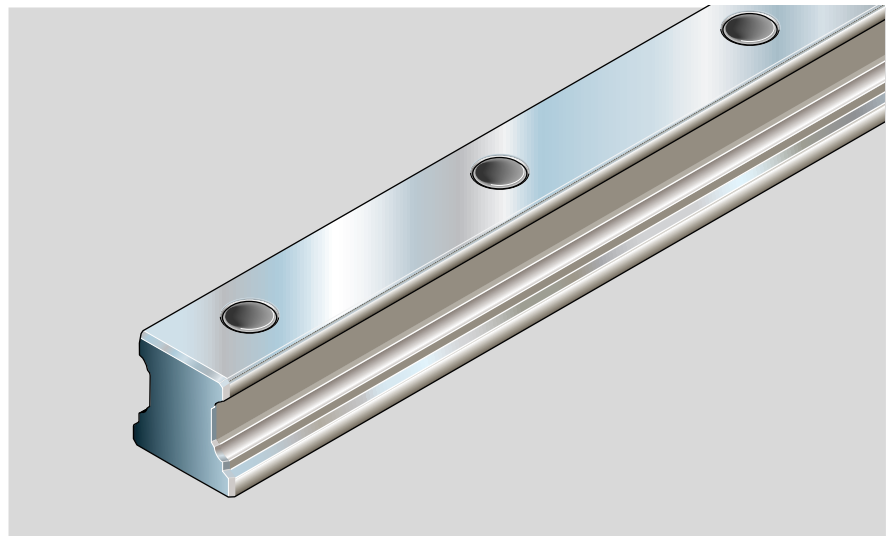


# Rexroth Ball Rail Systems

## Standard Guide Rails

### Guide rails 1605-.0.-

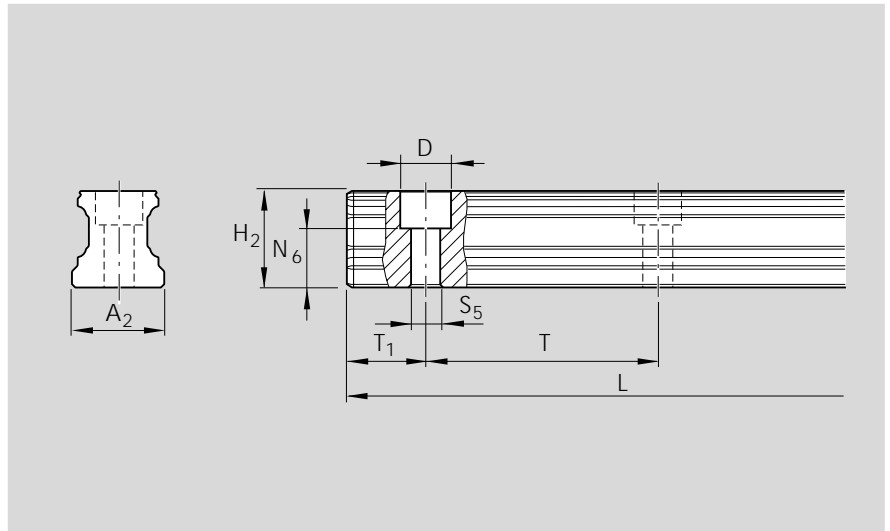
For mounting from above,  
with plastic mounting hole plugs  
(supplied)



### Part numbers and rail lengths

Size	Accuracy class	Guide rail		Spacing T (mm)	Recommended rail length																																			
		one-part Part number, Rail length L (mm)	composite Part number, Number of sections Rail length L (mm)		Number of holes $n_B$ / Rail length L (mm)																																			
15	UP	1605-109-31,....	1605-109-3,.....	60	<table border="1"> <tr><td>2 / 116</td><td>7 / 416</td><td>12 / 716</td><td>20 / 1196</td><td>40 / 2396</td></tr> <tr><td>3 / 176</td><td>8 / 476</td><td>13 / 776</td><td>22 / 1316</td><td>50 / 2996</td></tr> <tr><td>4 / 236</td><td>9 / 536</td><td>14 / 836</td><td>25 / 1496</td><td>60 / 3596</td></tr> <tr><td>5 / 296</td><td>10 / 596</td><td>16 / 956</td><td>30 / 1796</td><td>66 / 3956</td></tr> <tr><td>6 / 356</td><td>11 / 656</td><td>18 / 1076</td><td>35 / 2096</td><td></td></tr> </table>					2 / 116	7 / 416	12 / 716	20 / 1196	40 / 2396	3 / 176	8 / 476	13 / 776	22 / 1316	50 / 2996	4 / 236	9 / 536	14 / 836	25 / 1496	60 / 3596	5 / 296	10 / 596	16 / 956	30 / 1796	66 / 3956	6 / 356	11 / 656	18 / 1076	35 / 2096							
	2 / 116	7 / 416	12 / 716							20 / 1196	40 / 2396																													
	3 / 176	8 / 476	13 / 776							22 / 1316	50 / 2996																													
	4 / 236	9 / 536	14 / 836							25 / 1496	60 / 3596																													
	5 / 296	10 / 596	16 / 956							30 / 1796	66 / 3956																													
6 / 356	11 / 656	18 / 1076	35 / 2096																																					
SP	1605-101-31,....	1605-101-3,.....																																						
P	1605-102-31,....	1605-102-3,.....																																						
H	1605-103-31,....	1605-103-3,.....																																						
N	1605-104-31,....	1605-104-3,.....																																						
20	UP	1605-809-31,....	1605-809-3,.....																																					
	SP	1605-801-31,....	1605-801-3,.....																																					
	P	1605-802-31,....	1605-802-3,.....																																					
	H	1605-803-31,....	1605-803-3,.....																																					
	N	1605-804-31,....	1605-804-3,.....																																					
25	UP	1605-209-31,....	1605-209-3,.....	For size 15: max. 50/2996																																				
	SP	1605-201-31,....	1605-201-3,.....																																					
	P	1605-202-31,....	1605-202-3,.....																																					
	H	1605-203-31,....	1605-203-3,.....																																					
	N	1605-204-31,....	1605-204-3,.....																																					
30	UP	1605-709-31,....	1605-709-3,.....	80	<table border="1"> <tr><td>2 / 156</td><td>7 / 556</td><td>12 / 956</td><td>20 / 1596</td><td>40 / 3196</td></tr> <tr><td>3 / 236</td><td>8 / 636</td><td>13 / 1036</td><td>22 / 1756</td><td>50 / 3996</td></tr> <tr><td>4 / 316</td><td>9 / 716</td><td>14 / 1116</td><td>25 / 1996</td><td></td></tr> <tr><td>5 / 396</td><td>10 / 796</td><td>16 / 1276</td><td>30 / 2396</td><td></td></tr> <tr><td>6 / 476</td><td>11 / 876</td><td>18 / 1436</td><td>35 / 2796</td><td></td></tr> </table>					2 / 156	7 / 556	12 / 956	20 / 1596	40 / 3196	3 / 236	8 / 636	13 / 1036	22 / 1756	50 / 3996	4 / 316	9 / 716	14 / 1116	25 / 1996		5 / 396	10 / 796	16 / 1276	30 / 2396		6 / 476	11 / 876	18 / 1436	35 / 2796							
	2 / 156	7 / 556	12 / 956							20 / 1596	40 / 3196																													
	3 / 236	8 / 636	13 / 1036							22 / 1756	50 / 3996																													
	4 / 316	9 / 716	14 / 1116							25 / 1996																														
	5 / 396	10 / 796	16 / 1276							30 / 2396																														
6 / 476	11 / 876	18 / 1436	35 / 2796																																					
SP	1605-701-31,....	1605-701-3,.....																																						
P	1605-702-31,....	1605-702-3,.....																																						
H	1605-703-31,....	1605-703-3,.....																																						
N	1605-704-31,....	1605-704-3,.....																																						
35	UP	1605-309-31,....	1605-309-3,.....																																					
	SP	1605-301-31,....	1605-301-3,.....																																					
	P	1605-302-31,....	1605-302-3,.....																																					
	H	1605-303-31,....	1605-303-3,.....																																					
	N	1605-304-31,....	1605-304-3,.....																																					
45	UP	1605-409-31,....	1605-409-3,.....	105	<table border="1"> <tr><td>2 / 204</td><td>7 / 729</td><td>12 / 1254</td><td>20 / 2094</td><td>38 / 3984</td></tr> <tr><td>3 / 309</td><td>8 / 834</td><td>13 / 1359</td><td>22 / 2304</td><td></td></tr> <tr><td>4 / 414</td><td>9 / 939</td><td>14 / 1464</td><td>25 / 2619</td><td></td></tr> <tr><td>5 / 519</td><td>10 / 1044</td><td>16 / 1674</td><td>30 / 3144</td><td></td></tr> <tr><td>6 / 624</td><td>11 / 1149</td><td>18 / 1884</td><td>35 / 3669</td><td></td></tr> </table>					2 / 204	7 / 729	12 / 1254	20 / 2094	38 / 3984	3 / 309	8 / 834	13 / 1359	22 / 2304		4 / 414	9 / 939	14 / 1464	25 / 2619		5 / 519	10 / 1044	16 / 1674	30 / 3144		6 / 624	11 / 1149	18 / 1884	35 / 3669							
	2 / 204	7 / 729	12 / 1254							20 / 2094	38 / 3984																													
	3 / 309	8 / 834	13 / 1359							22 / 2304																														
	4 / 414	9 / 939	14 / 1464							25 / 2619																														
	5 / 519	10 / 1044	16 / 1674							30 / 3144																														
6 / 624	11 / 1149	18 / 1884	35 / 3669																																					
SP	1605-401-31,....	1605-401-3,.....																																						
P	1605-402-31,....	1605-402-3,.....																																						
H	1605-403-31,....	1605-403-3,.....																																						
N	1605-404-31,....	1605-404-3,.....																																						
55	UP	1605-509-31,....	1605-509-3,.....							120	<table border="1"> <tr><td>2 / 234</td><td>7 / 834</td><td>12 / 1434</td><td>20 / 2394</td><td></td></tr> <tr><td>3 / 354</td><td>8 / 954</td><td>13 / 1554</td><td>22 / 2634</td><td></td></tr> <tr><td>4 / 474</td><td>9 / 1074</td><td>14 / 1674</td><td>25 / 2994</td><td></td></tr> <tr><td>5 / 594</td><td>10 / 1194</td><td>16 / 1914</td><td>30 / 3594</td><td></td></tr> <tr><td>6 / 714</td><td>11 / 1314</td><td>18 / 2154</td><td>33 / 3954</td><td></td></tr> </table>					2 / 234	7 / 834	12 / 1434	20 / 2394		3 / 354	8 / 954	13 / 1554	22 / 2634		4 / 474	9 / 1074	14 / 1674	25 / 2994		5 / 594	10 / 1194	16 / 1914	30 / 3594		6 / 714	11 / 1314	18 / 2154	33 / 3954	
	2 / 234	7 / 834	12 / 1434													20 / 2394																								
	3 / 354	8 / 954	13 / 1554													22 / 2634																								
	4 / 474	9 / 1074	14 / 1674													25 / 2994																								
	5 / 594	10 / 1194	16 / 1914													30 / 3594																								
6 / 714	11 / 1314	18 / 2154	33 / 3954																																					
SP	1605-501-31,....	1605-501-3,.....																																						
P	1605-502-31,....	1605-502-3,.....																																						
H	1605-503-31,....	1605-503-3,.....																																						
N	1605-504-31,....	1605-504-3,.....																																						
65	UP	1605-609-31,....	1605-609-3,.....	150	<table border="1"> <tr><td>2 / 294</td><td>7 / 1044</td><td>12 / 1794</td><td>20 / 2994</td><td></td></tr> <tr><td>3 / 444</td><td>8 / 1194</td><td>13 / 1944</td><td>22 / 3294</td><td></td></tr> <tr><td>4 / 594</td><td>9 / 1344</td><td>14 / 2094</td><td>25 / 3744</td><td></td></tr> <tr><td>5 / 744</td><td>10 / 1494</td><td>16 / 2394</td><td>26 / 3894</td><td></td></tr> <tr><td>6 / 894</td><td>11 / 1644</td><td>18 / 2694</td><td></td><td></td></tr> </table>											2 / 294	7 / 1044	12 / 1794	20 / 2994		3 / 444	8 / 1194	13 / 1944	22 / 3294		4 / 594	9 / 1344	14 / 2094	25 / 3744		5 / 744	10 / 1494	16 / 2394	26 / 3894		6 / 894	11 / 1644	18 / 2694		
	2 / 294	7 / 1044	12 / 1794													20 / 2994																								
	3 / 444	8 / 1194	13 / 1944													22 / 3294																								
	4 / 594	9 / 1344	14 / 2094													25 / 3744																								
	5 / 744	10 / 1494	16 / 2394													26 / 3894																								
6 / 894	11 / 1644	18 / 2694																																						
SP	1605-601-31,....	1605-601-3,.....																																						
P	1605-602-31,....	1605-602-3,.....																																						
H	1605-603-31,....	1605-603-3,.....																																						
N	1605-604-31,....	1605-604-3,.....																																						

## Dimensions and masses



Size	Dimension (mm)									Mass (kg/m)
	$A_2$	$H_2^{1)}$	$N_6^{\pm 0.5}$	$D$	$S_5$	$T_{1S_1}^{+0.5}$	$T_{1\min}$	$T$	$L_{\max}^{2)}$	
15	15	16.20	10.3	7.4	4.4	28.0	10	60	4000	1.4
20	20	20.55	13.2	9.4	6.0	28.0	10	60	4000	2.4
25	23	24.25	15.2	11.0	7.0	28.0	10	60	4000	3.2
30	28	28.35	17.0	15.0	9.0	38.0	12	80	4000	5.0
35	34	31.85	20.5	15.0	9.0	38.0	12	80	4000	6.8
45	45	39.85	23.5	20.0	14.0	50.5	16	105	4000	10.5
55	53	47.85	29.0	24.0	16.0	58.0	18	120	4000	16.2
65	63	59.85	38.5	26.0	18.0	73.0	20	150	4000	22.4

<sup>1)</sup> Dimension  $H_2$  without rail seal cover strip

<sup>2)</sup> For sizes 20 – 45, one-piece guide rails up to approx. 6000 mm in length can be supplied in special cases.