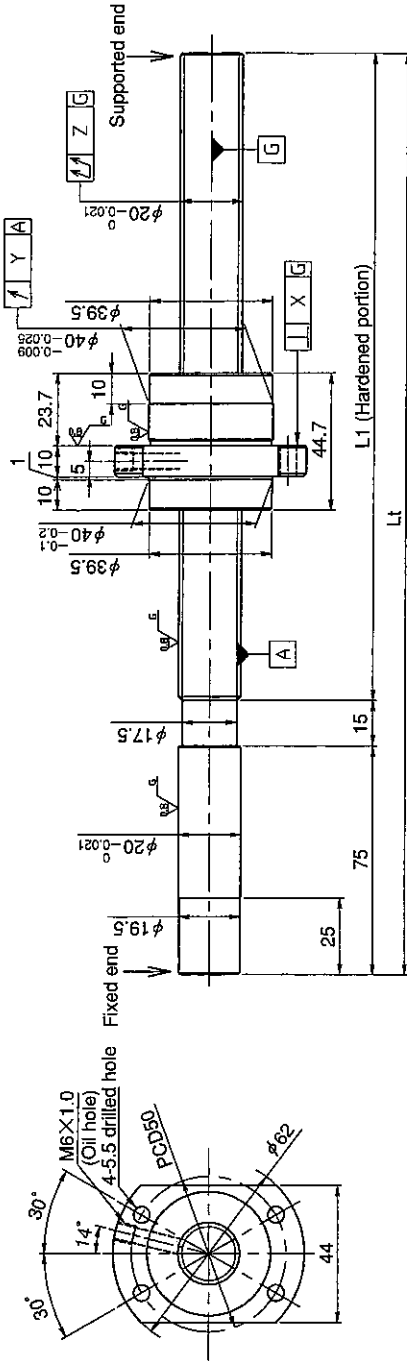


UNFINISHED SHAFT ENDS

Screw shaft diameter φ20, Lead 40

(Unit : mm)



Model No.	Axial clearance	L1	Lt	X	Y	Z	Preload torque (N·cm)	Lead accuracy		Wiper	Mass (kg)
								±Ec	ec		
HG2040QS-HEZR-1000A	~0.005 (F)	910	1000	0.011	0.015	0.120	~5.0	0.040	0.027	※	2.66
HG2040QS-HEZR-1500A		1410	1500					0.054	0.035		3.79
HG2040QS-HEZR-1800A		1710	1800					0.065	0.040		4.73

● Notation of standard ground ball screw
 ● Standard length shaft without end machining
 ● With end machining specified on your drawing

Overall length Thread length

- JIS B 1192-1987 applies to accuracy standard values shown in the above-mentioned table.
- Asterisked part * : The lip of the end cap serves as a wiper.
- Support unit : BUK-15A (BUK-15F, BUK-15S) and BUM-15 is recommended. (Refer to P.398)
- Product with axial clearance ~0.005 (F) shown in the table may be partially preloaded.
- Preload torque shown in the table is a value before greasing.
- The grease is contained inside of nut only at the time of delivery. When using it, apply lubricant.

Table of optional specifications for each model

Additional machining of shaft end	Axial clearance adjustment (Note 2)	Surface treatment (Note 1)	Difference of grease	Direction of nut	Wiper removal
○	△	○	○	○	—

(Note 1) The above-mentioned surface treatment is LD treatment (coating thickness : 1 to 2 μm).

(Note 2) For axial clearance adjustment, contact KURODA.

Ball screw specifications

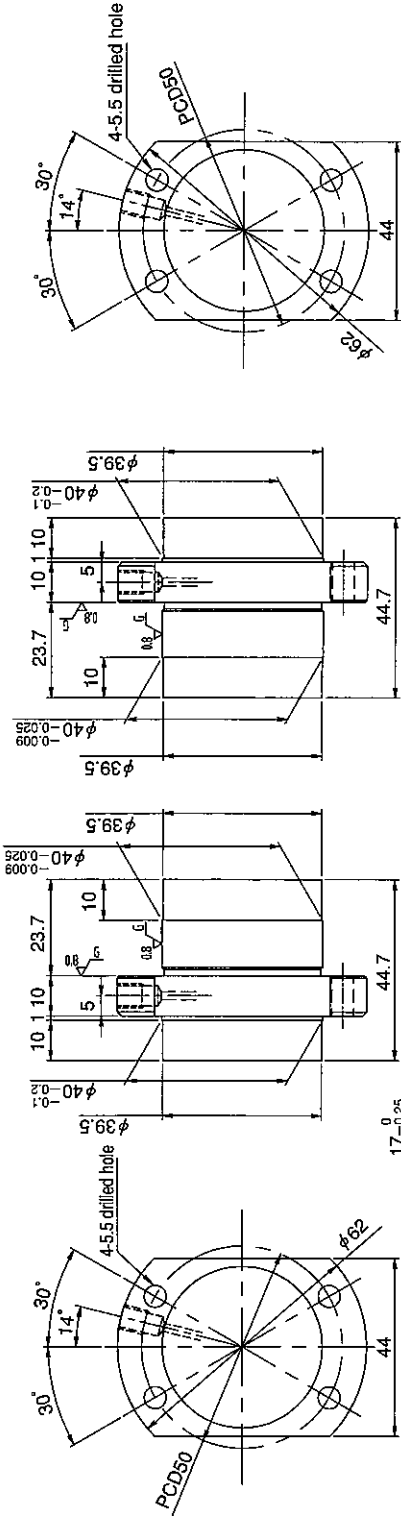
Screw shaft dia.	20	Axial clearance	~0.005 (F)
Lead	40	Basic dynamic load rating	6800N
Thread direction	Right-hand	Basic static load rating	12100N
Number of circuits	0.67turn 3circuit	Spacer ball	—
Ball diameter	3.175	Lubricant	Alvania Grease No.2
Number of thread	3		

SHAFT END FINISH ORDERING SHEET

Screw shaft diameter $\phi 20$, Lead 40

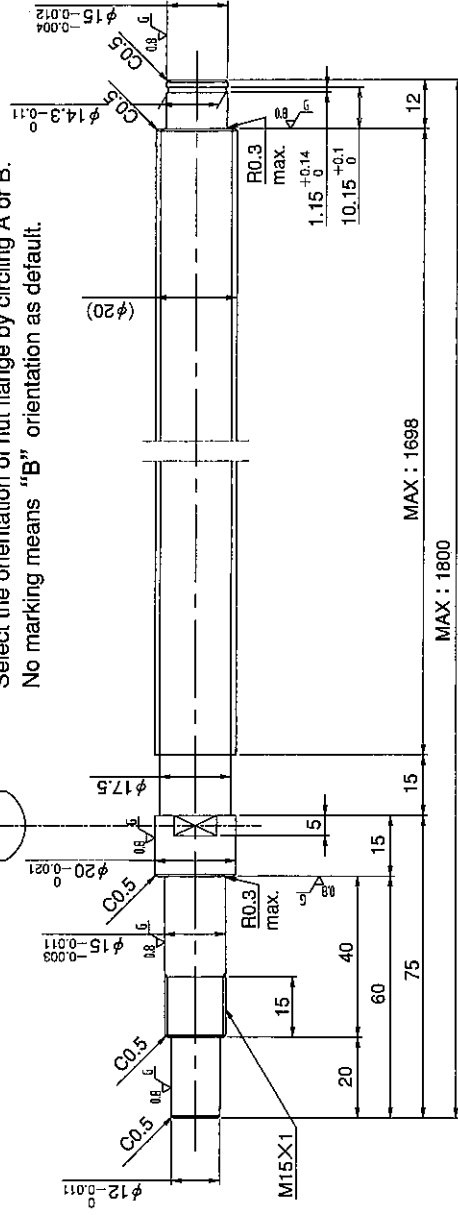
(Unit : mm)

HG2040QS-HEZR- X -C5F



B

Select the orientation of nut flange by circling A or B.
No marking means "B" orientation as default.



A

Company Name	
Telephone	Name of Person in Charge
Company Address	

Applicable Support Unit
Direct mount : BUK-15A (Fixed end unit+Supported end unit) Refer to Page.406
Circle flange : BUM-15 (Fixed end unit+Supported end bearing) Refer to Page.413

Refer to page 24 for NOTATION OF MODEL NUMBER.