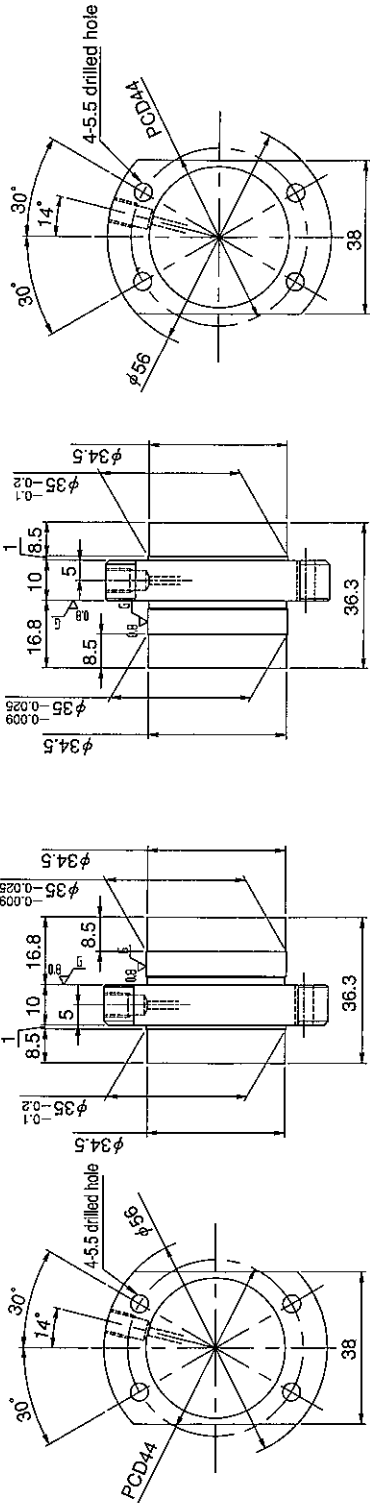


SHAFT END FINISH ORDERING SHEET

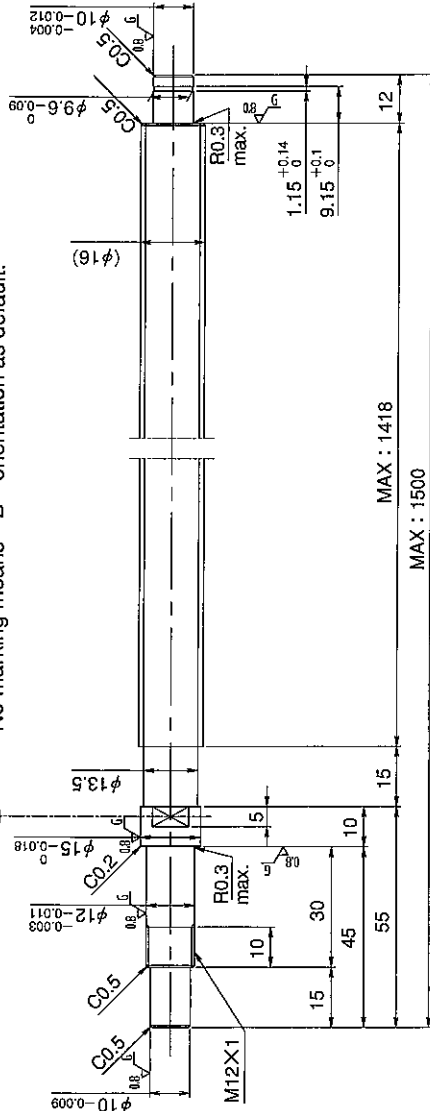
Screw shaft diameter $\phi 16$, Lead 32

(Unit : mm)

HG1632QS-HEZR- X -C5F



A
 Select the orientation of nut flange by circling A or B.
 No marking means "B" orientation as default.



Applicable Support Unit
 Direct mount : BUK-12A (Fixed end unit+Supported end unit) Refer to Page.405
 Circle flange : BUM-12 (Fixed end unit+Supported end bearing) Refer to Page.412

Company Name	
Telephone	Name of Person in Charge
Company Address	

Refer to page 24 for NOTATION OF MODEL NUMBER.