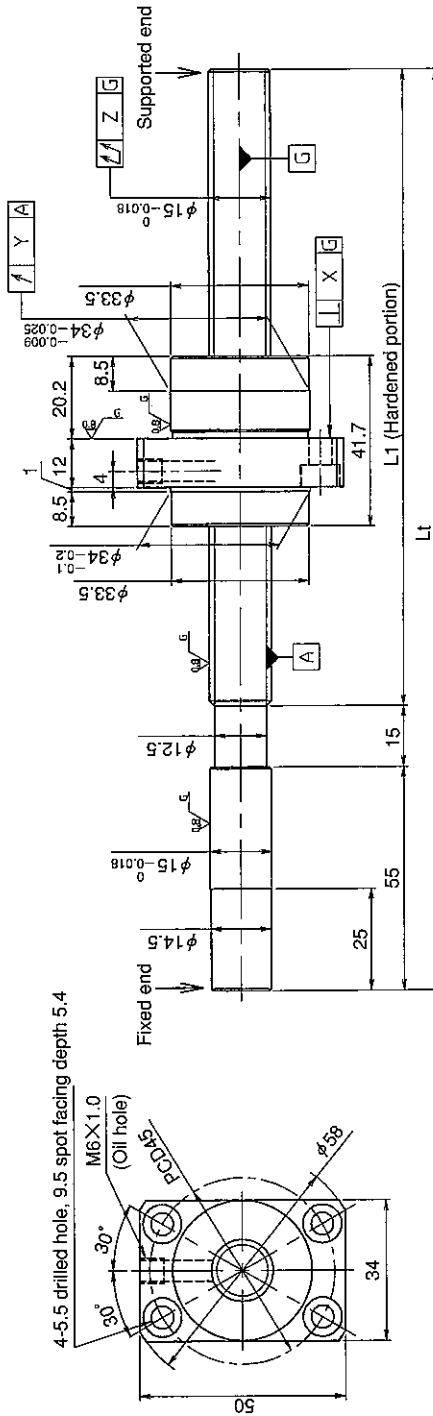


## UNFINISHED SHAFT ENDS

## Screw shaft diameter $\phi$ 15, Lead 40

(Unit : mm)



Model No.	Axial clearance	L1	Lt	X	Y	Z	Lead accuracy		Wiper	Mass (kg)
							$\pm$ Ec	ec		
HG1540QS-BEZR-0600A	~0.010 (H)	530	600	0.011	0.015	0.075	±Ec	ec	※	1.05
HG1540QS-BEZR-1100A		1030	1100				0.046	0.030		

- JIS B 1192-1987 applies to accuracy standard values shown in the above-mentioned table.
- Asterisked part \* : The lip of the end cap serves as a wiper.
- Support unit : BUK-12A (BUK-12F, BUK-10S) and BUM-12 is recommended. (Refer to P.398)
- The grease is contained inside of nut only at the time of delivery. When using it, apply lubricant.

Notation of standard ground ball screw  
 ● Standard length shaft without end machining  
 HG1540QS-BEZR-□□□□A  
 ● With end machining specified on your drawing  
 HG1540QS-□EZR-□□□□X□□□□-C5H

Overall length      Thread length

Table of optional specifications for each model

Additional machining of shaft end	Axial clearance adjustment (Note 2)	Surface treatment (Note 1)	Difference of grease	Direction of nut	Wiper removal
○	△	○	○	○	—

(Note 1) The above-mentioned surface treatment is LD treatment (coating thickness : 1 to 2  $\mu$ m).

(Note 2) For axial clearance adjustment, contact KURODA.

Ball screw specifications

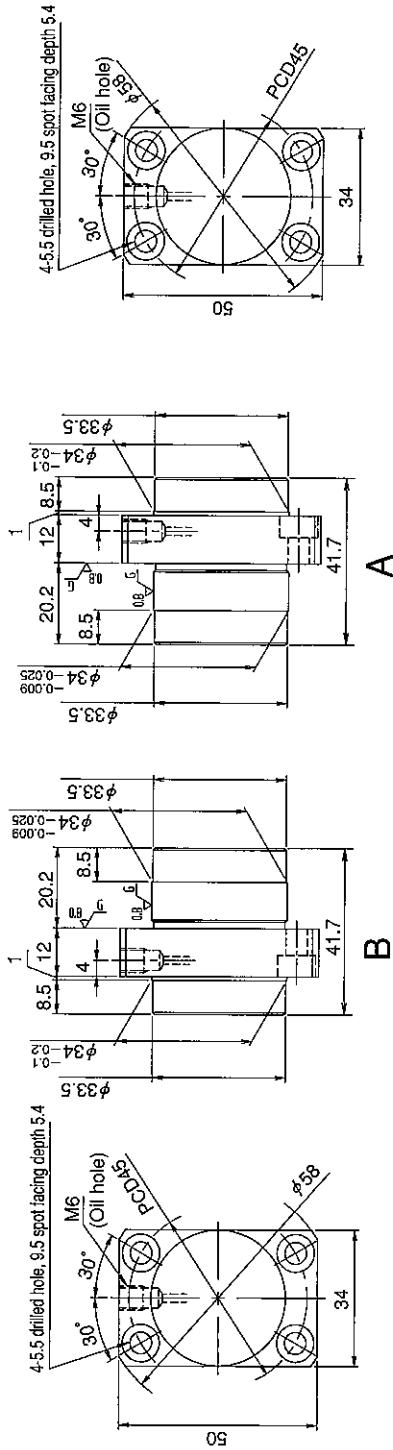
Screw shaft dia.	15	Axial clearance	~0.010 (H)
Lead	40	Basic dynamic load rating	5600N
Thread direction	Right-hand	Basic static load rating	8600N
Number of circuits	0.67turn 3circuit	Spacer ball	—
Ball diameter	3.175	Lubricant	Alvania Grease No.2
Number of thread	3		

**SHAFT END FINISH ORDERING SHEET**

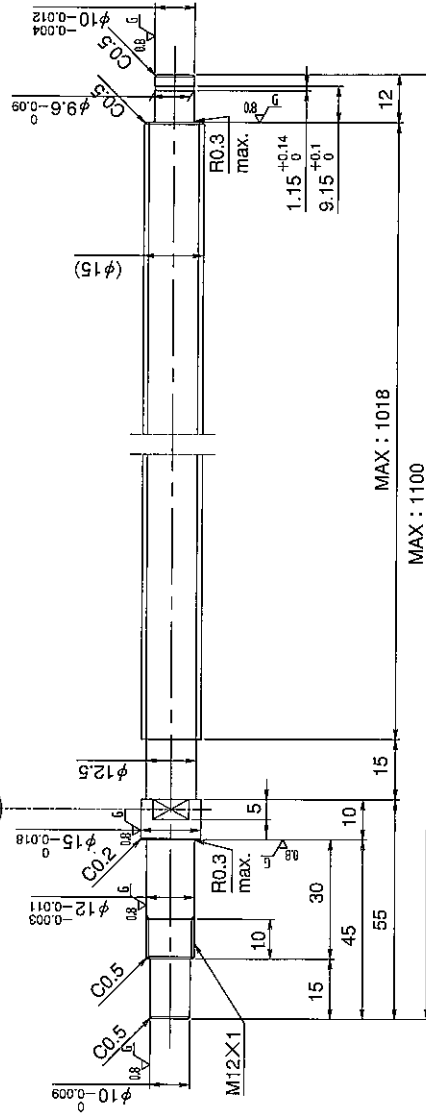
**Screw shaft diameter  $\phi 15$ , Lead 40**

(Unit : mm)

HG1540QS-BEZR-     X     -C5H



Select the orientation of nut flange by circling A or B.  
No marking means "B" orientation as default.



Applicable Support Unit

Direct mount : BUK-12A (Fixed end unit+Supported end unit) Refer to Page.405

Circle flange : BUM-12 (Fixed end unit+Supported end bearing) Refer to Page.412

Company Name	
Telephone	Name of Person in Charge
Company Address	