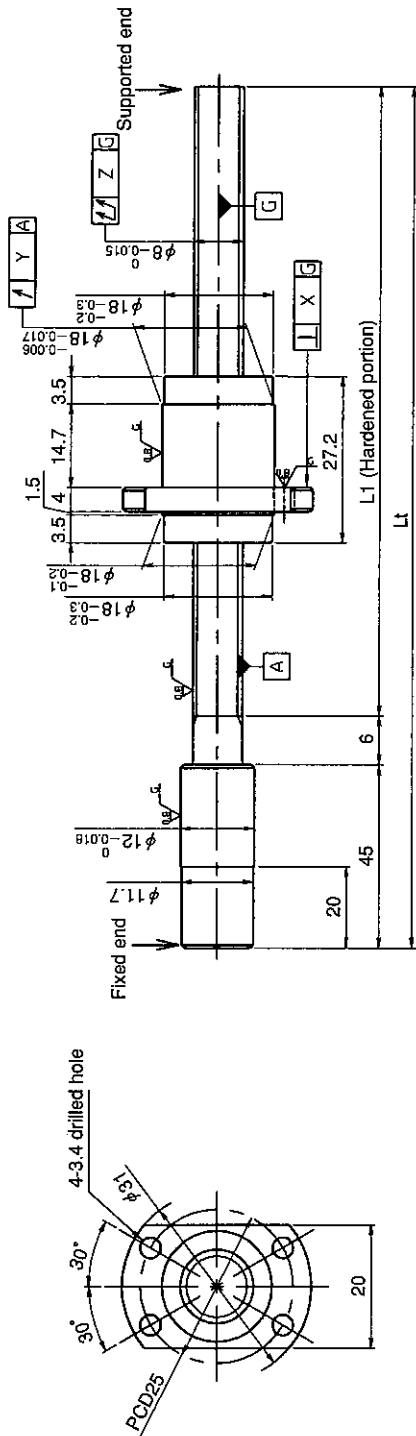


UNFINISHED SHAFT ENDS

Screw shaft diameter $\phi 8$, Lead 12

(Unit : mm)



Model No.	Axial clearance	L1	Lt	X	Y	Z	Lead accuracy		Wiper	Mass (kg)
							±Ec	ec		
HG0812QS-HEZR-0340A	~0.010 (H)	289	340	0.010	0.012	0.075	0.023	0.018	※	0.20

Notation of standard ground ball screw

- Standard length shaft without end machining
HG0812QS-HEZR-□□□□A
 - With end machining specified on your drawing
HG0812QS-□□□□X□□□□-C5H
- Overall length Thread length

• JIS B 1192-1987 applies to accuracy standard values shown in the above-mentioned table.

• Asterisk part * : The lip of the end cap serves as a wiper.

• End cap is made of resin (PPS).

• Support unit : BUK-8A (BUK-8F, BUK-6S) and BUM-8 is recommended. (Refer to P.398)

• The grease is contained inside of nut only at the time of delivery. When using it, apply lubricant.

Table of optional specifications for each model

Additional machining of shaft end	Axial clearance adjustment (Note 2)	Surface treatment (Note 1)	Difference of grease	Direction of nut	Wiper removal
○	△	○	○	○	—

(Note 1) The above-mentioned surface treatment is LD treatment (coating thickness : 1 to 2 μ m).

In case of LD treatment, treatment of end cap is omitted.

(Note 2) For axial clearance adjustment, contact KURODA.

Ball screw specifications

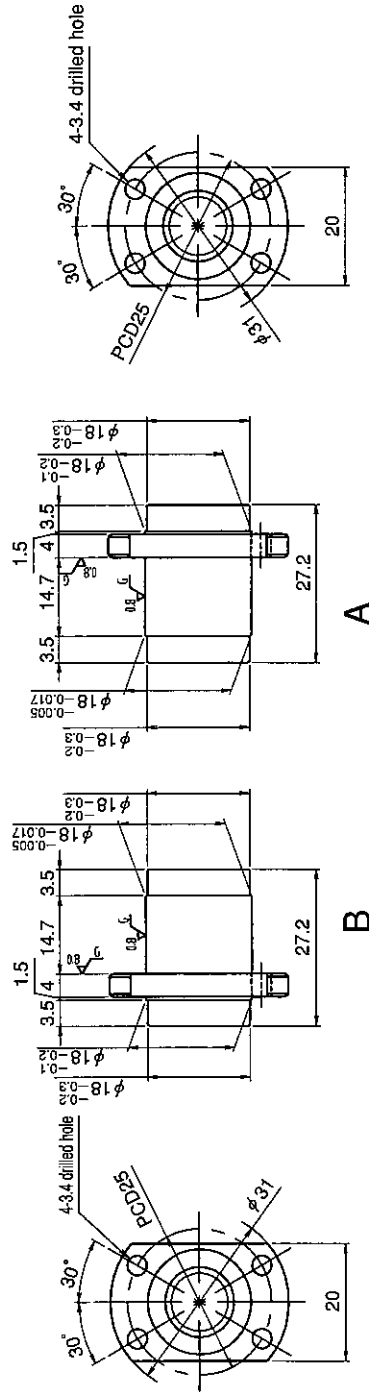
Screw shaft dia.	8	Axial clearance	~0.010 (H)
Lead	12	Basic dynamic load rating	2490N
Thread direction	Right-hand	Basic static load rating	3460N
Number of circuits	1.667turn 2circuit	Spacer ball	—
Ball diameter	1.588	Lubricant	Multemp PS2
Number of thread	2		

SHAFT END FINISH ORDERING SHEET

Screw shaft diameter $\phi 8$, Lead 12

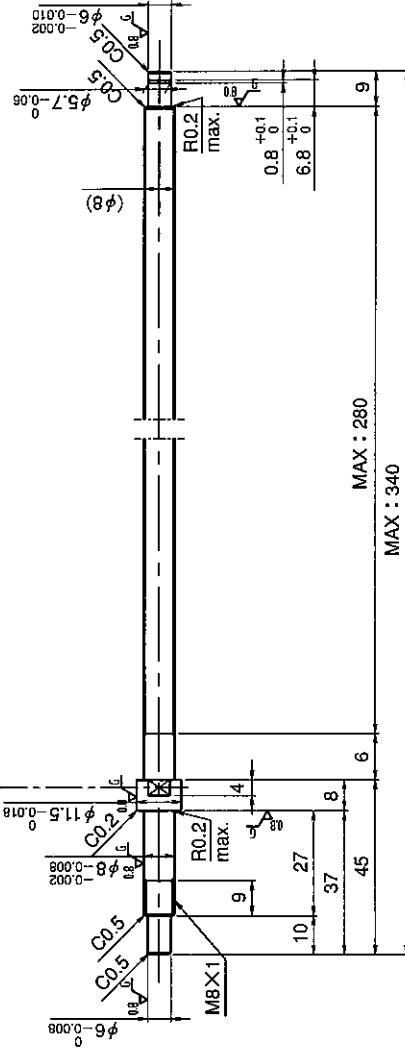
(Unit : mm)

HG0812QS-HEZR- X -C5H



A

Select the orientation of nut flange by circling A or B.
No marking means "B" orientation as default.



Applicable Support Unit
Direct mount : BUK-8A (Fixed end unit+Supported end unit) Refer to Page.403
Circle flange : BUM-8 (Fixed end unit+Supported end bearing) Refer to Page.410

Company Name	
Telephone	Name of Person in Charge
Company Address	