

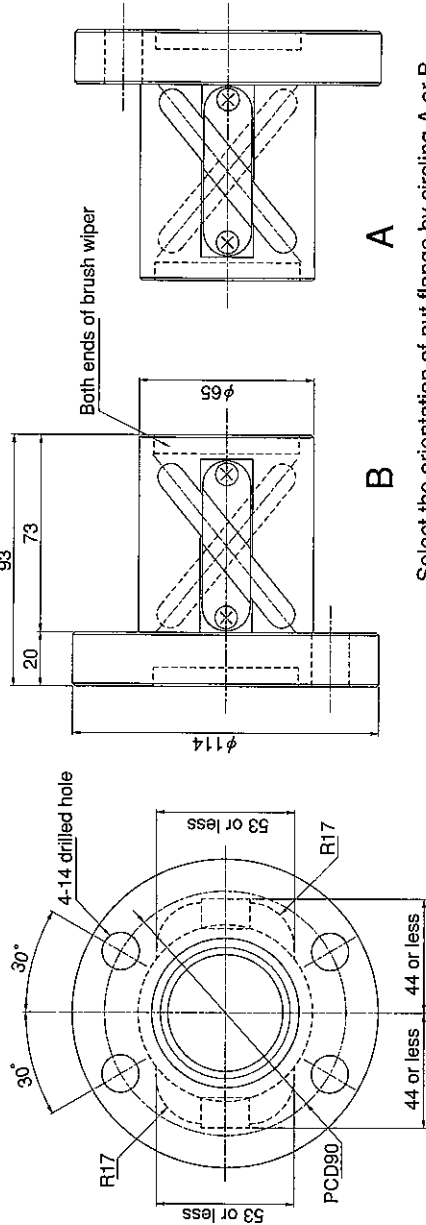
KURODA Standard Rolled Ball Screw : GY Series (Accuracy grade C10)

SHAFT END FINISH ORDERING SHEET

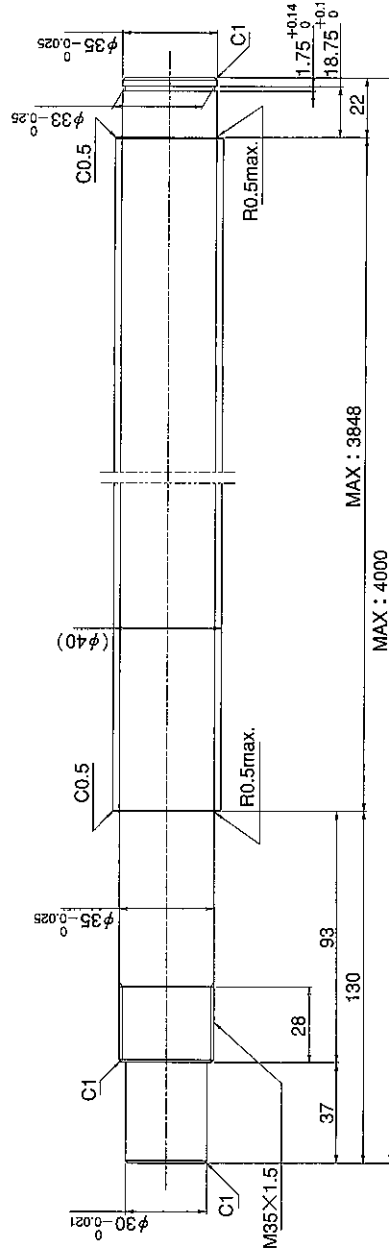
Screw shaft diameter $\phi 40$, Lead 20 (T nut)

(Unit : mm)

GY4020ES-CTBR- X -CAY



Select the orientation of nut flange by circling A or B.
No marking means "B" orientation as default.



Applicable Support Unit
BUT-35 (Fixed end unit) Refer to Page.421

Company Name	
Telephone	Name of Person in Charge
Company Address	

Refer to page 24 for NOTATION OF MODEL NUMBER.