

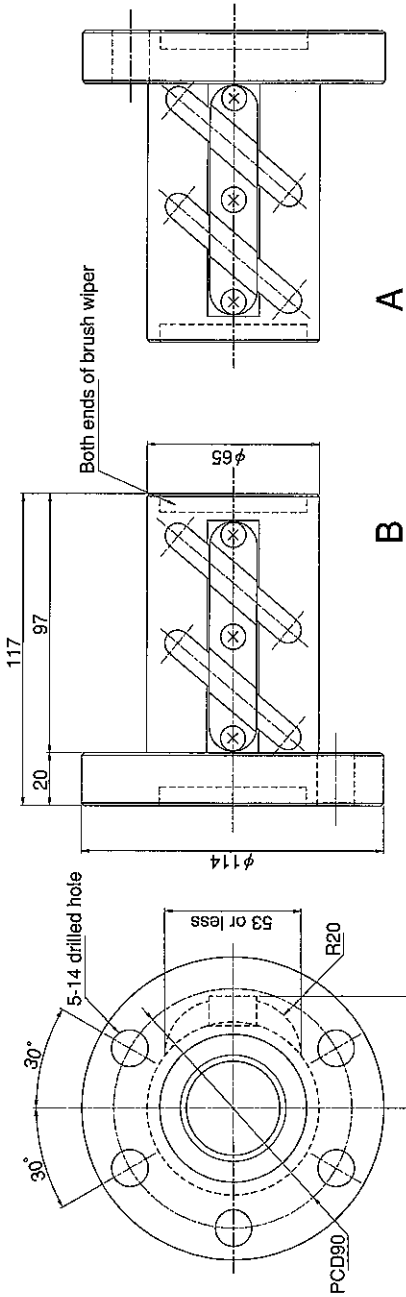


**SHAFT END FINISH ORDERING SHEET**

Screw shaft diameter  $\phi 40$ , Lead 10 (T nut)

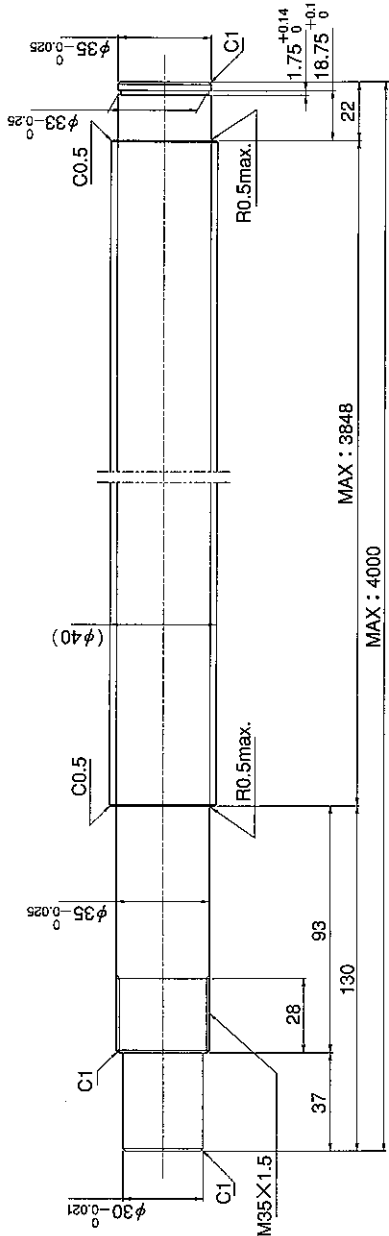
(Unit : mm)

GY4010RS-CTBR-     X     -CAY



**A**

Select the orientation of nut flange by circling A or B.  
No marking means "B" orientation as default.



Applicable Support Unit  
BUT-35 (Fixed end unit) Refer to Page.421

Company Name	
Telephone	
Company Address	
	Name of Person in Charge