

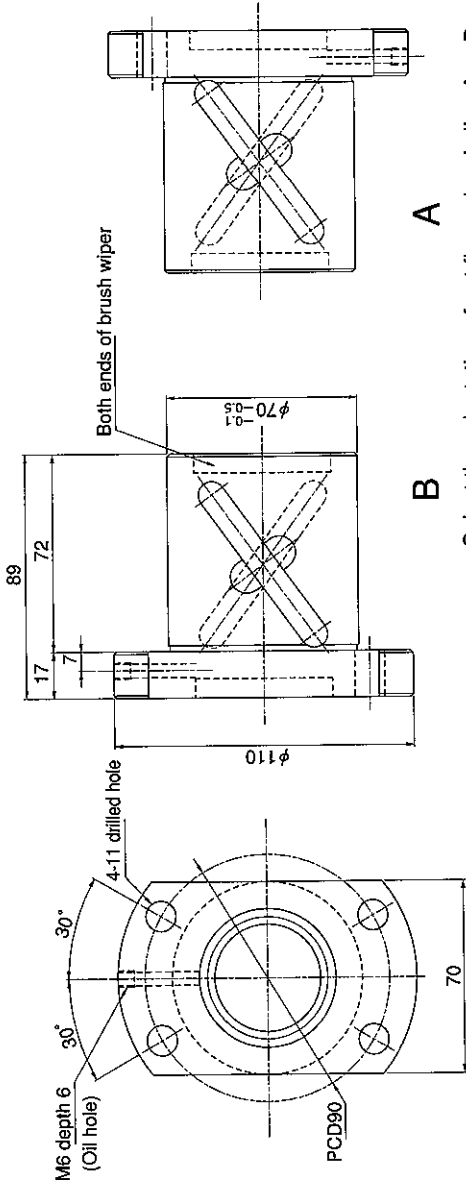


**SHAFT END FINISH ORDERING SHEET**

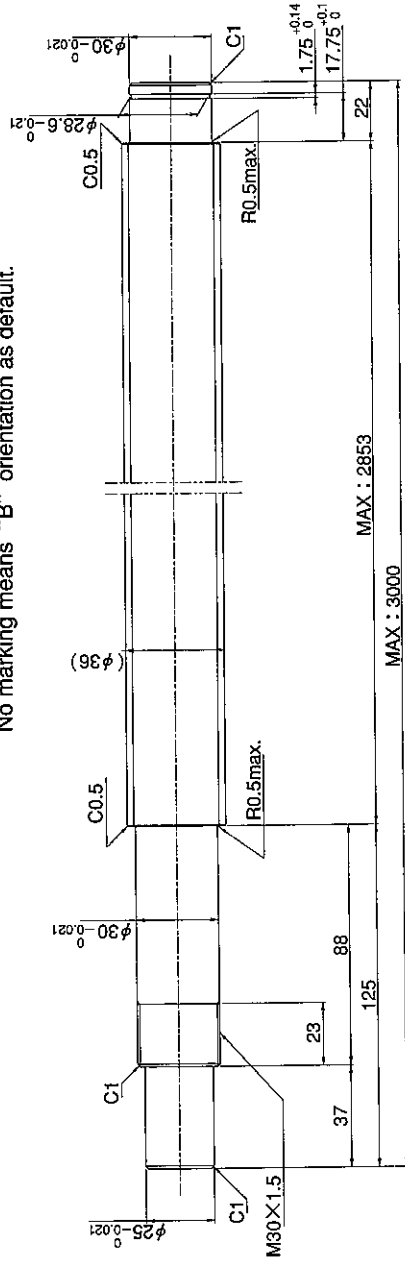
Screw shaft diameter  $\phi 36$ , Lead 20 (U nut)

(Unit : mm)

GY3620ES-HUBR-     X     -CAY



Select the orientation of nut flange by circling A or B.  
No marking means "B" orientation as default.



Applicable Support Unit  
BUT-30 (Fixed end unit) Refer to Page.420

Company Name	
Telephone	Name of Person in Charge
Company Address	