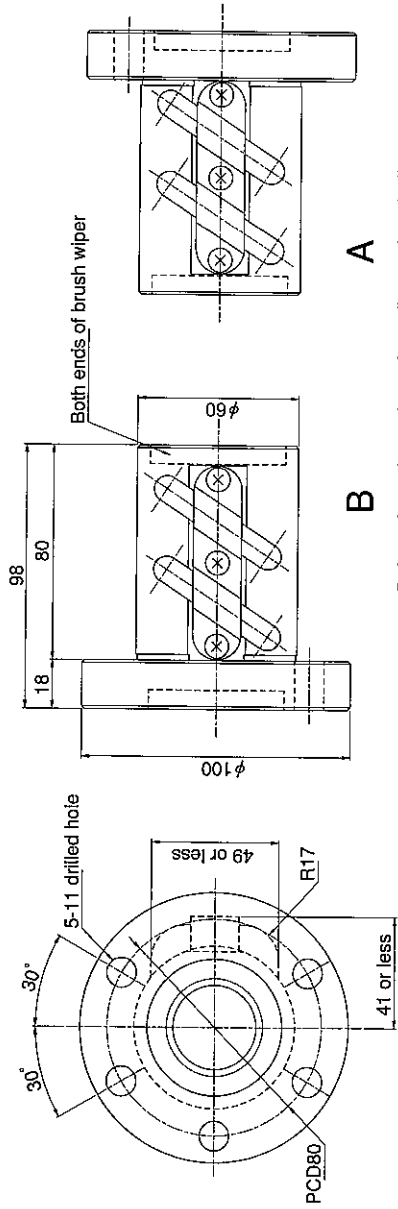


SHAFT END FINISH ORDERING SHEET

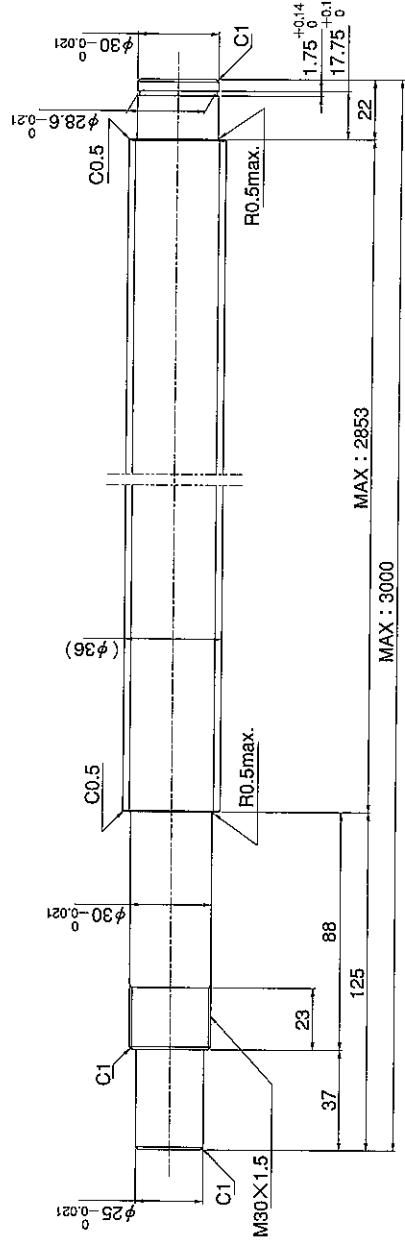
Screw shaft diameter $\phi 36$, Lead 10 (T nut)

(Unit : mm)

GY3610ES-CTBR- X -CAY



Select the orientation of nut flange by circling A or B.
No marking means "B" orientation as default.



Applicable Support Unit
BUT-30 (Fixed end unit) Refer to Page.420

Company Name	
Telephone	Name of Person in Charge
Company Address	