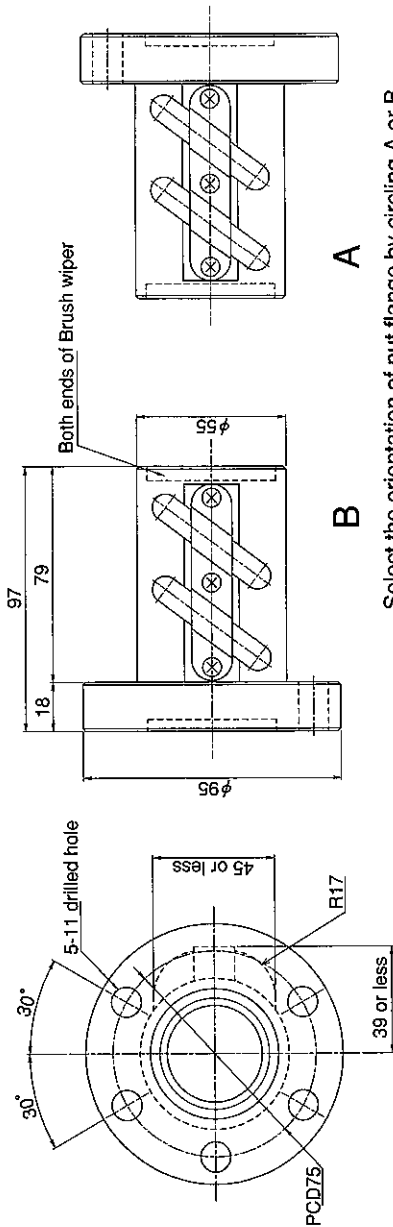


SHAFT END FINISH ORDERING SHEET

Screw shaft diameter $\phi 32$, Lead 10 (T nut)

(Unit : mm)

GY3210ES-CTBR- X -CAY



Select the orientation of nut flange by circling A or B.
No marking means "B" orientation as default.

