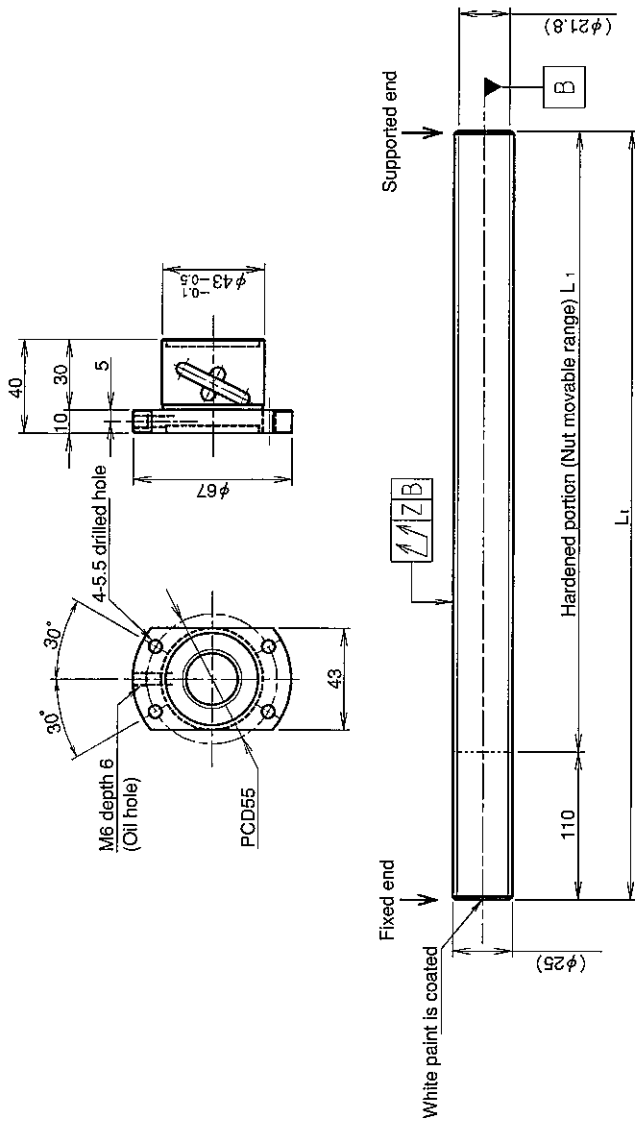


UNFINISHED SHAFT ENDS

Screw shaft diameter $\phi 25$, Lead 5 (U nut)

(Unit : mm)



Ball screw specifications

| | | | |
|--------------------|------------|---------------------------|---------------------|
| Screw shaft dia. | 25 | Basic dynamic load rating | 6600N |
| Lead | 5 | Basic static load rating | 18700N |
| Thread direction | Right-hand | Lubricant | Alvania Grease No.2 |
| Number of circuits | 2.5turn | Surface treatment | Phosphate coating |
| Ball diameter | 3.175 | | |

| Model No. | Axial clearance | L ₁ | L _t | Z | Wiper |
|---------------------|-----------------|----------------|----------------|-------|----------|
| GY2505DS-HULR-1000A | ~0.100 | 890 | 1000 | 0.160 | Lip seal |
| GY2505DS-HULR-2000A | | 1890 | 2000 | 0.400 | |
| GY2505DS-HULR-2500A | | 2390 | 2500 | 0.640 | |

Table of optional specifications for each model

| Additional machining of shaft end | Surface treatment (Note 1) | Difference of grease | Direction of nut removal | Wiper removal |
|-----------------------------------|----------------------------|----------------------|--------------------------|---------------|
| ○ | ○ | ○ | ○ | ○ |

(Note 1) The above-mentioned surface treatment is LD treatment (coating thickness : 1 to 2 μ m).

Notation of standard rolled ball screw

- Standard length shaft without end machining (Matched screw shaft and nut)
GY2505DS-HULR-□□□□X□□□□□-CAY
- Nut only without screw shaft
GY2505DS-HULR
- Screw shaft only without end machining
GY2505ZZ-ZZZZ-□□□□□□□□□□
- With end machining specified on your drawing (Matched screw shaft and nut)
GY2505DS-HULR-□□□□X□□□□□-CAY
- With end machining specified on your drawing (Screw shaft only)
GY2505ZZ-ZZZZ-□□□□Y□□□□□-CAY

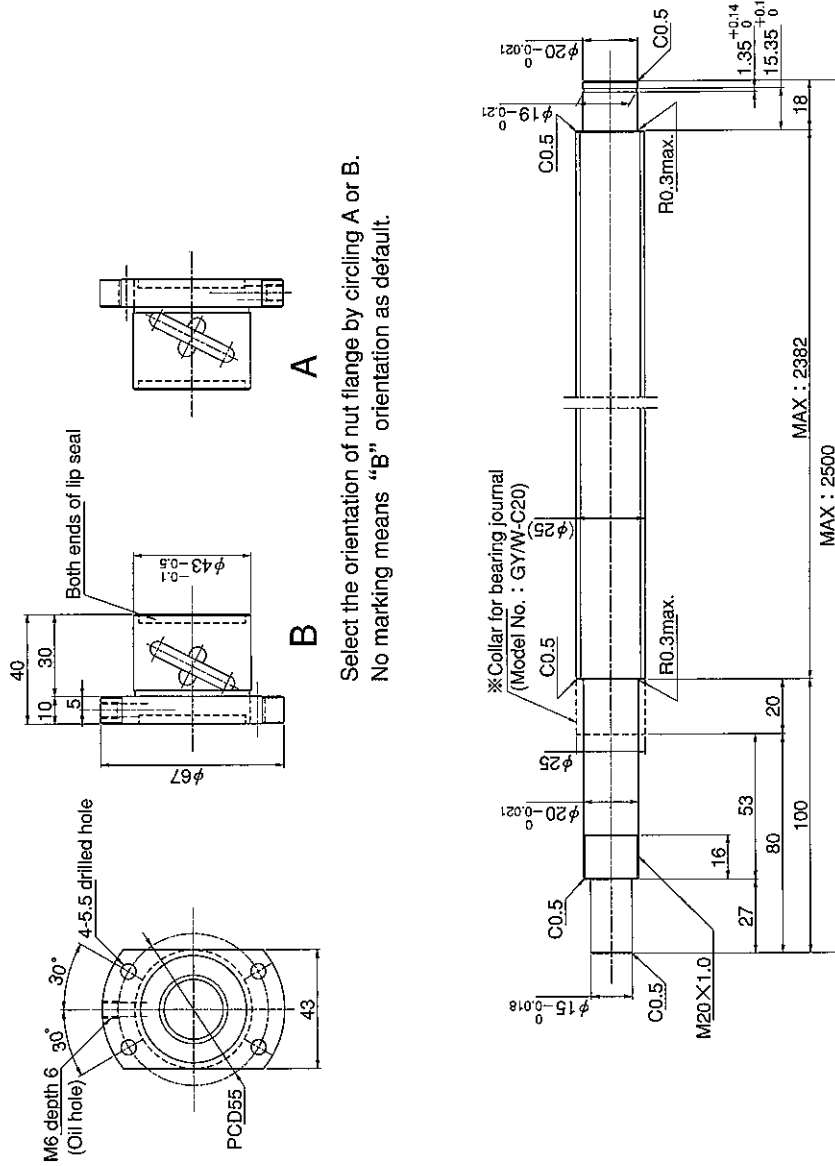
Overall length Thread length

SHAFT END FINISH ORDERING SHEET

Screw shaft diameter $\phi 25$, Lead 5 (U nut)

(Unit : mm)

GY2505DS-HULR- X -CAY



Select the orientation of nut flange by circling A or B.
No marking means "B" orientation as default.

※ Please place an order for collar separately.
Applicable Support Unit

Direct mount : BUK-20A (Fixed end unit + Supported end unit) Refer to Page.407

Circle flange : BUM-20 (Fixed end unit + Supported end bearing) Refer to Page.414

| | |
|-----------------|--------------------------|
| Company Name | |
| Telephone | Name of Person in Charge |
| Company Address | |