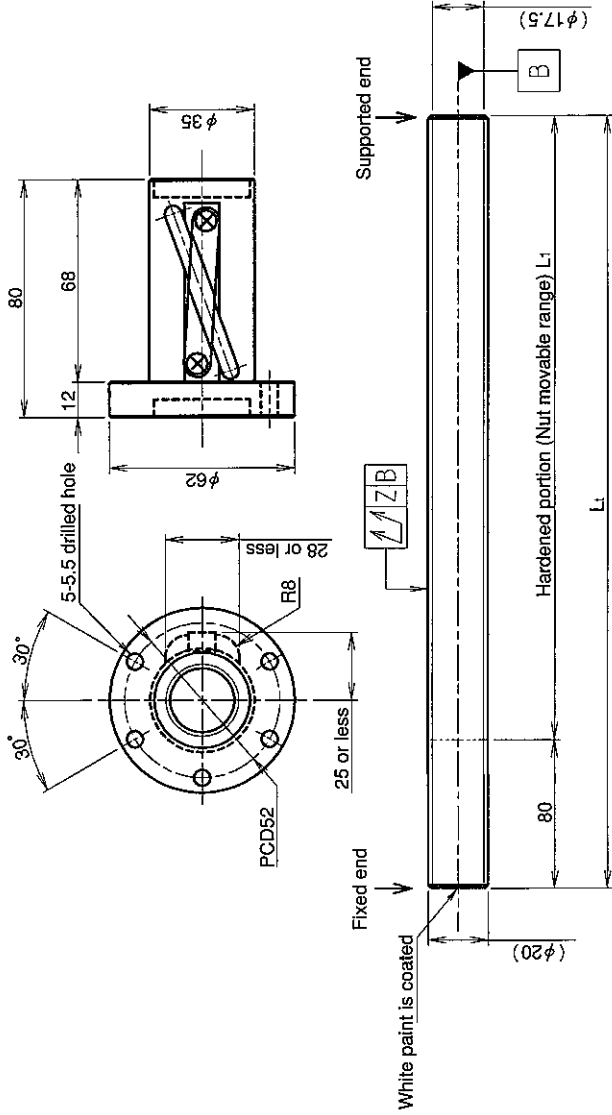


UNFINISHED SHAFT ENDS

Screw shaft diameter $\phi 20$, Lead 20 (T nut)

(Unit : mm)



Ball screw specifications

Screw shaft dia.	20	Basic dynamic load rating	6200N
Lead	20	Basic static load rating	14700N
Thread direction	Right-hand	Lubricant	Alvania Grease No.2
Number of circuits	2.5turn 1circuit	Surface treatment	Phosphate coating
Ball diameter	3.175		

Model No.	Axial clearance	L ₁	L	Z	Wiper
GY2020DS-CTLR-0600A	~0.100	520	600	0.140	Lip seal
GY2020DS-CTLR-1200A		1120	1200	0.240	
GY2020DS-CTLR-2000A		1920	2000	0.640	

Table of optional specifications for each model

Additional machining of shaft end	Surface treatment (Note 1)	Difference of grease	Direction of nut	Wiper removal
○	○	○	○	○

(Note 1) The above-mentioned surface treatment is LD treatment (coating thickness : 1 to 2 μm).

Notation of standard rolled ball screw

- Standard length shaft without end machining (Matched screw shaft and nut)
GY2020DS-CTLR-□□□□X□□□□□□□□-CAY
- Nut only without screw shaft
GY2020DS-CTLR
- Screw shaft only without end machining
GY2020ZZ-ZZZZ-□□□□□□□□

- With end machining specified on your drawing (Matched screw shaft and nut)
GY2020DS-CTLR-□□□□X□□□□□□□□-CAY
- With end machining specified on your drawing (Screw shaft only)
GY2020ZZ-ZZZZ-□□□□Y□□□□□□□□-CAY

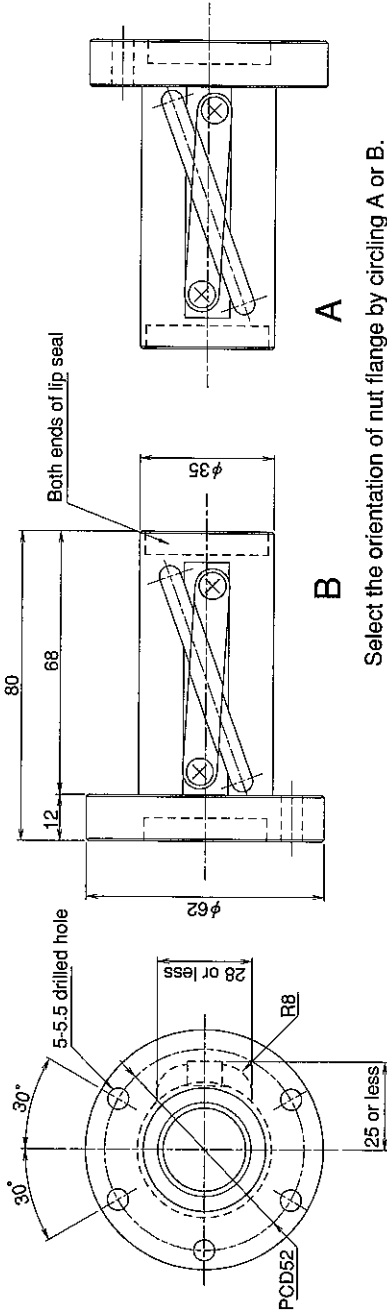
Overall length Thread length

SHAFT END FINISH ORDERING SHEET

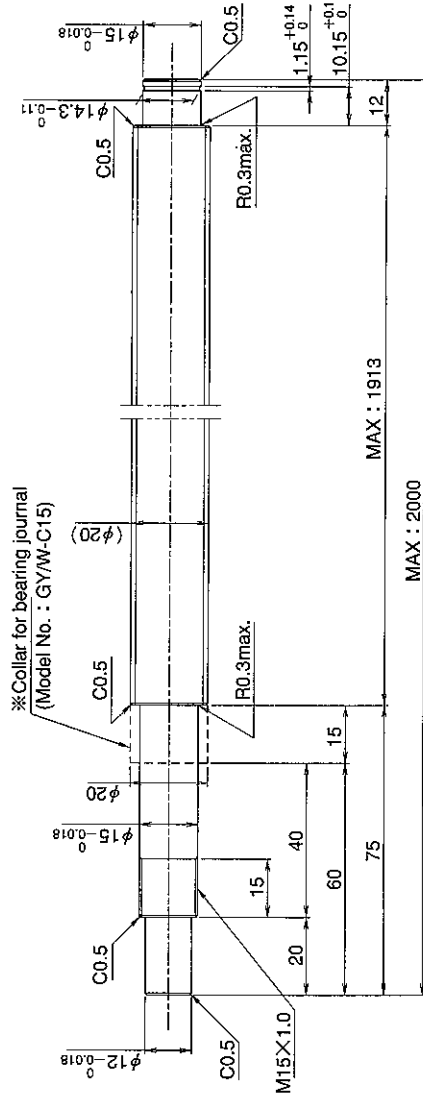
Screw shaft diameter $\phi 20$, Lead 20 (T nut)

(Unit : mm)

GY2020DS-CTLR- X -CAY



Select the orientation of nut flange by circling A or B.
No marking means "B" orientation as default.



※ Please place an order for collar separately.

Applicable Support Unit

Direct mount : BUM-15A (Fixed end unit + Supported end unit) Refer to Page.406

Circle flange : BUM-15 (Fixed end unit + Supported end bearing) Refer to Page.413

Company Name	
Telephone	Name of Person in Charge
Company Address	