



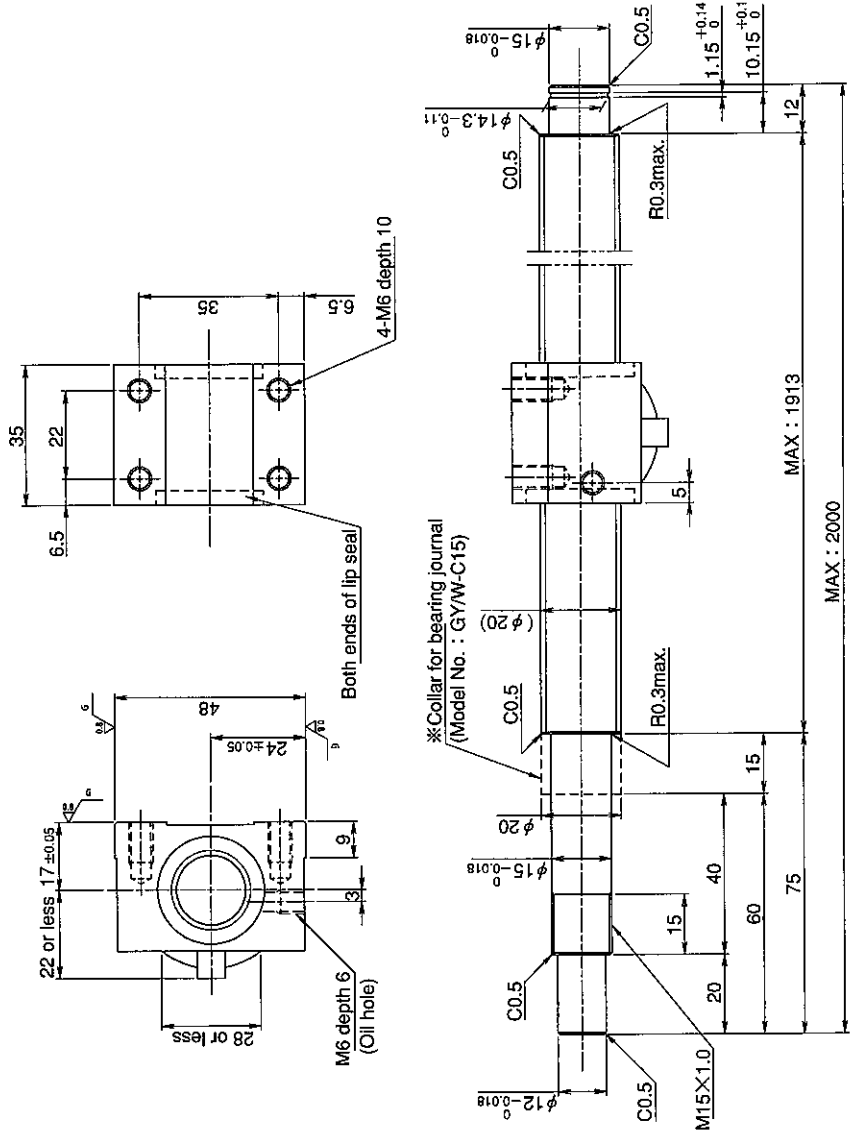
**KURODA** Standard Rolled Ball Screw : GY Series (Accuracy grade C10)

**SHAFT END FINISH ORDERING SHEET**

Screw shaft diameter  $\phi 20$ , Lead 5 (K nut)

(Unit : mm)

GY2005DS-NKLR-     X     -CAY



※Please place an order for collar separately.  
 Applicable Support Unit  
 Direct mount : BUK-15A (Fixed end unit+Supported end unit) Refer to Page.406  
 Circle flange : BUM-15 (Fixed end unit+Supported end bearing) Refer to Page.413

Company Name	
Telephone	Name of Person in Charge
Company Address	

Refer to page 24 for NOTATION OF MODEL NUMBER.