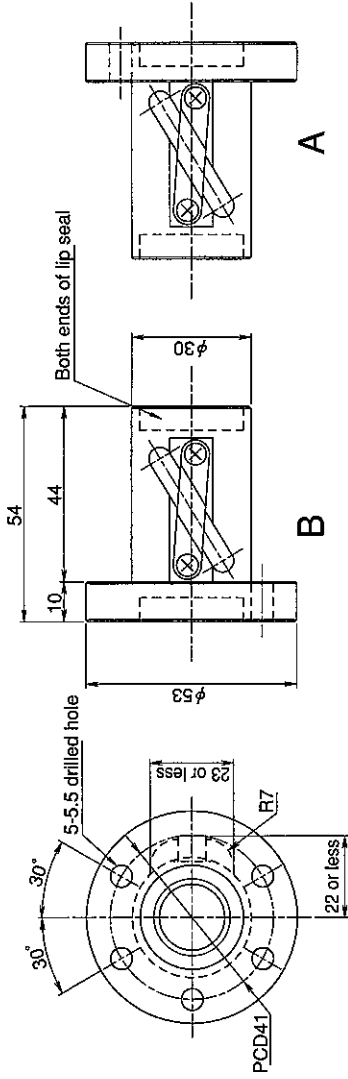


SHAFT END FINISH ORDERING SHEET

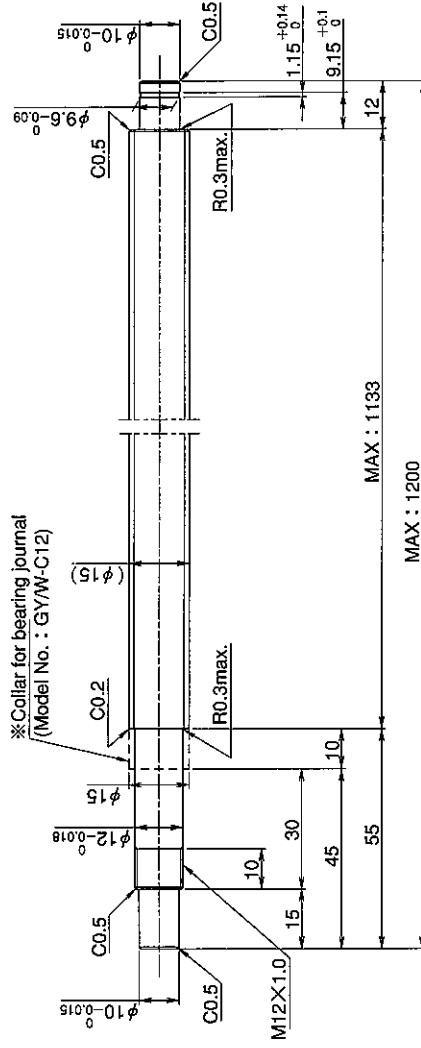
Screw shaft diameter $\phi 15$, Lead 10 (T nut)

(Unit : mm)

GY1510DS-CTLR- X -CAY



Select the orientation of nut flange by circling A or B.
No marking means "B" orientation as default.



※Please place an order for collar separately.

Applicable Support Unit

Direct mount : BUK-12A (Fixed end unit+Supported end unit) Refer to Page.405

Circle flange : BUM-12 (Fixed end unit+Supported end bearing) Refer to Page.412

Company Name	
Telephone	Name of Person in Charge
Company Address	

Refer to page 24 for NOTATION OF MODEL NUMBER.