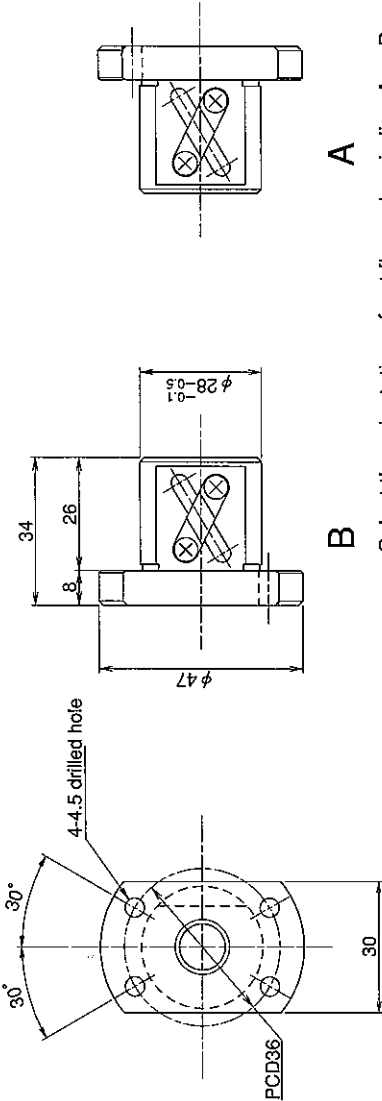


SHAFT END FINISH ORDERING SHEET

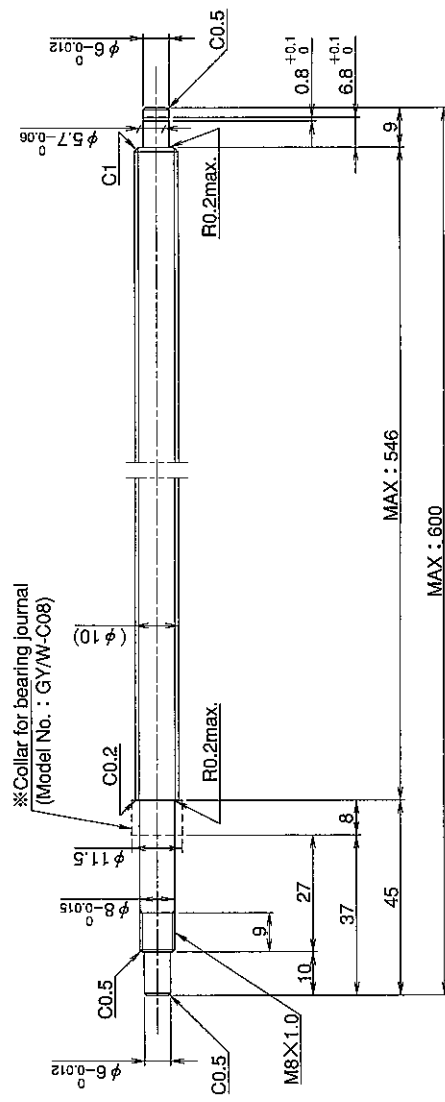
Screw shaft diameter $\phi 10$, Lead 10 (M nut)

(Unit : mm)

GY1010AS-HANR- X -CAY



A
B
 Select the orientation of nut flange by circling A or B.
 No marking means "B" orientation as default.



※ Please place an order for collar separately.
 Applicable Support Unit
 Direct mount : BUK-8A (Fixed end unit+Supported end unit) Refer to Page.403
 Circle flange : BUM-8 (Fixed end unit+Supported end bearing) Refer to Page.410

Company Name	
Telephone	Name of Person in Charge
Company Address	