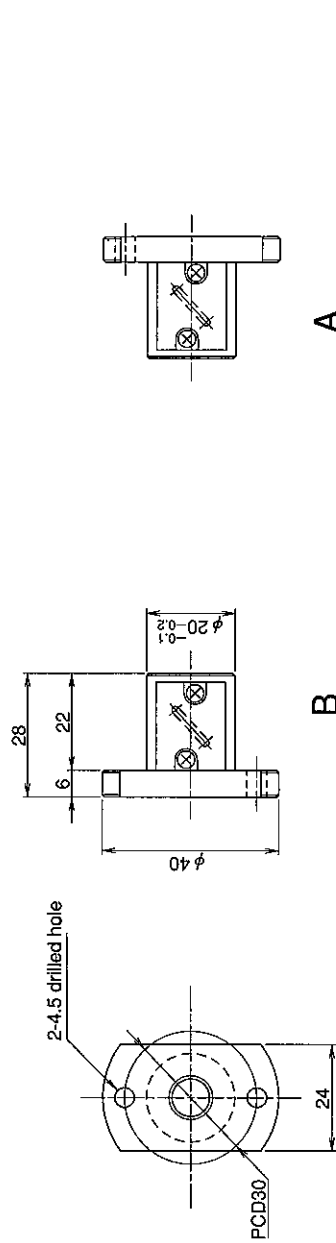


SHAFT END FINISH ORDERING SHEET

Screw shaft diameter $\phi 8$, Lead 2 (M nut)

GY0802GS-HGNR- X -CAY

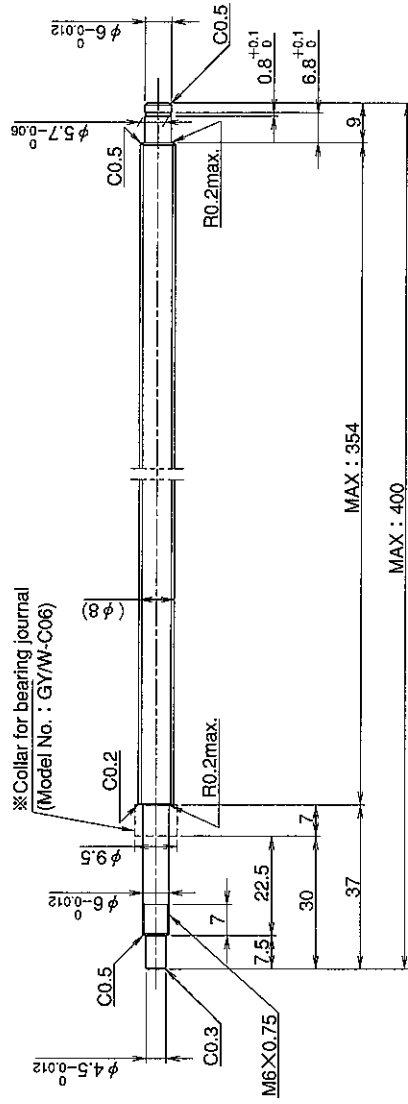
(Unit : mm)



B

A

Select the orientation of nut flange by circling A or B.
No marking means "B" orientation as default.



※ Please place an order for collar separately.

Applicable Support Unit

Direct mount : BUK-6 (Fixed end unit + Supported end bearing) Refer to Page.402

Circle flange : BUM-6 (Fixed end unit + Supported end bearing) Refer to Page.409

Company Name	
Telephone	Name of Person in Charge
Company Address	