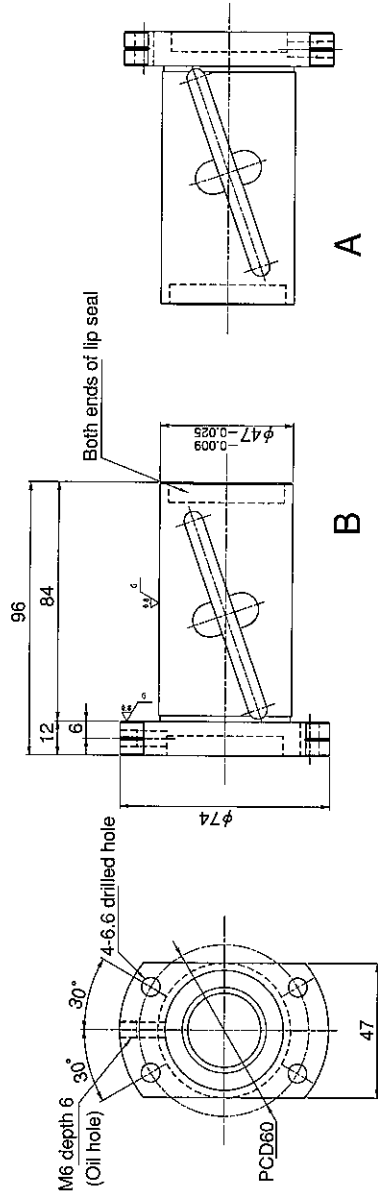


SHAFT END FINISH ORDERING SHEET

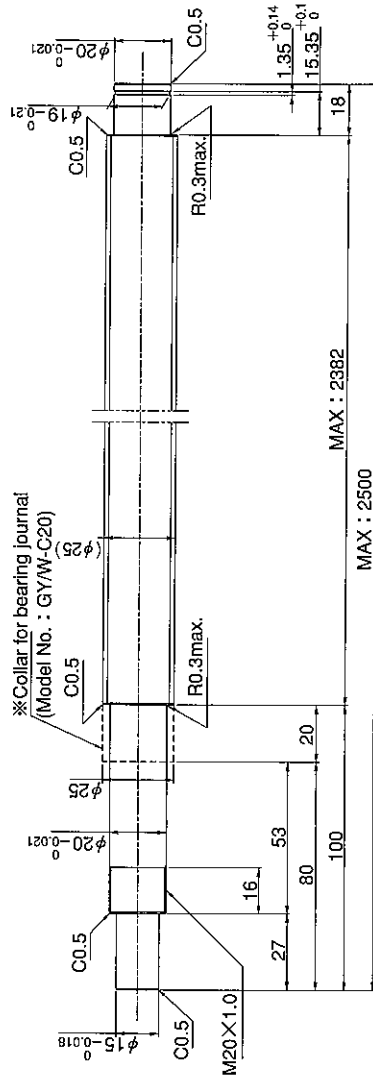
Screw shaft diameter $\phi 25$, Lead 25 (U nut)

(Unit : mm)

GW2525DS-HULR- X -C7Y



Select the orientation of nut flange by circling A or B.
No marking means "B" orientation as default.



※ Please place an order for collar separately.
Applicable Support Unit

Direct mount : BUK-20A (Fixed end unit+Supported end unit) Refer to Page.407

Circle flange : BUM-20 (Fixed end unit+Supported end bearing) Refer to Page.414

Company Name	
Telephone	Name of Person in Charge
Company Address	