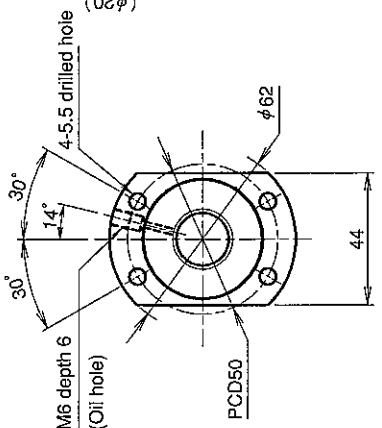
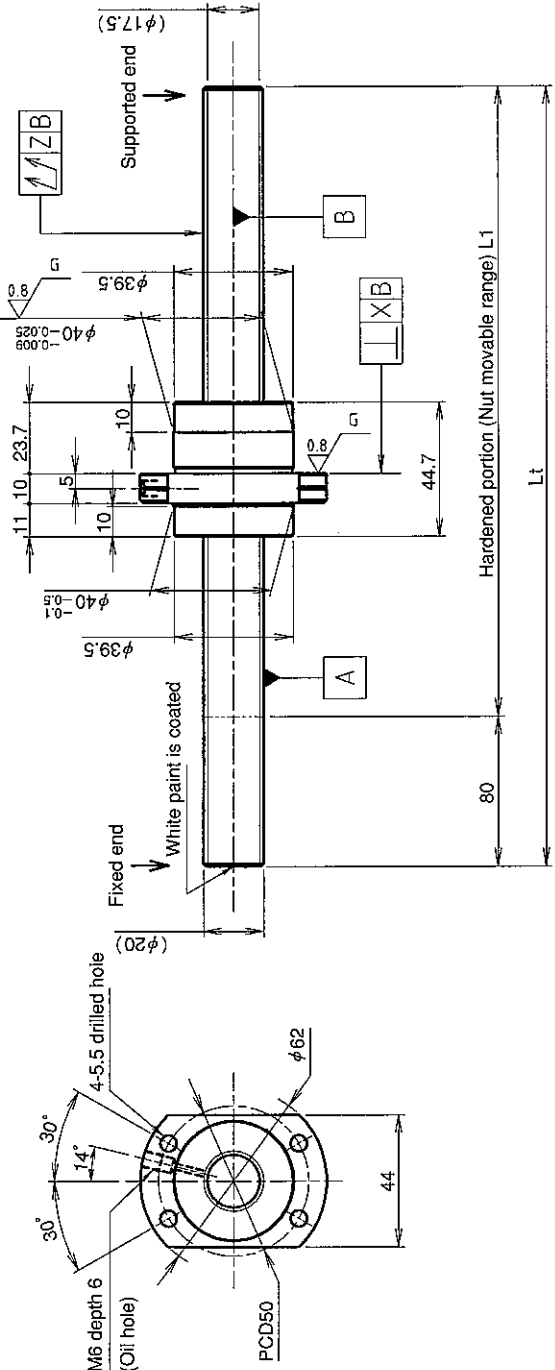


**UNFINISHED SHAFT ENDS**

**Screw shaft diameter  $\phi 20$ , Lead 40 (E nut)**

(Unit : mm)



**Ball screw specifications**

Screw shaft dia.	20	Basic dynamic load rating	4700N
Lead	40	Basic static load rating	10300N
Thread direction	Right-hand	Lubricant	Alvania Grease No.2
Number of circuits	0.67turn 3circuit	Surface treatment	Without
Ball diameter	3.175		

**Table of optional specifications for each model**

Additional machining of shaft end	Surface treatment (Note 1)	Difference of grease	Direction of nut removal	Wiper
○	○	○	○	×

(Note 1) The above-mentioned surface treatment is LD treatment (coating thickness : 1 to 2  $\mu$  m).

Model No.	Axial clearance	L <sub>t</sub>	L <sub>t</sub>	X	Y	Z	Wiper
GW2040QS-HEZR-0600A		520	600			0.070	
GW2040QS-HEZR-1200A	~0.030	1120	1200	0.025	0.025	0.120	*
GW2040QS-HEZR-2000A		1920	2000			0.270	

\* Asterisked part \* : The lip of the end cap serves as a wiper.

**Notation of standard rolled ball screw**

- Standard length shaft without end machining  
GW2040QS-HEZR-□□□□A
- With end machining specified on your drawing  
GW2040QS-HEZR-□□□□X□□□□-C7Y

Overall length Thread length

