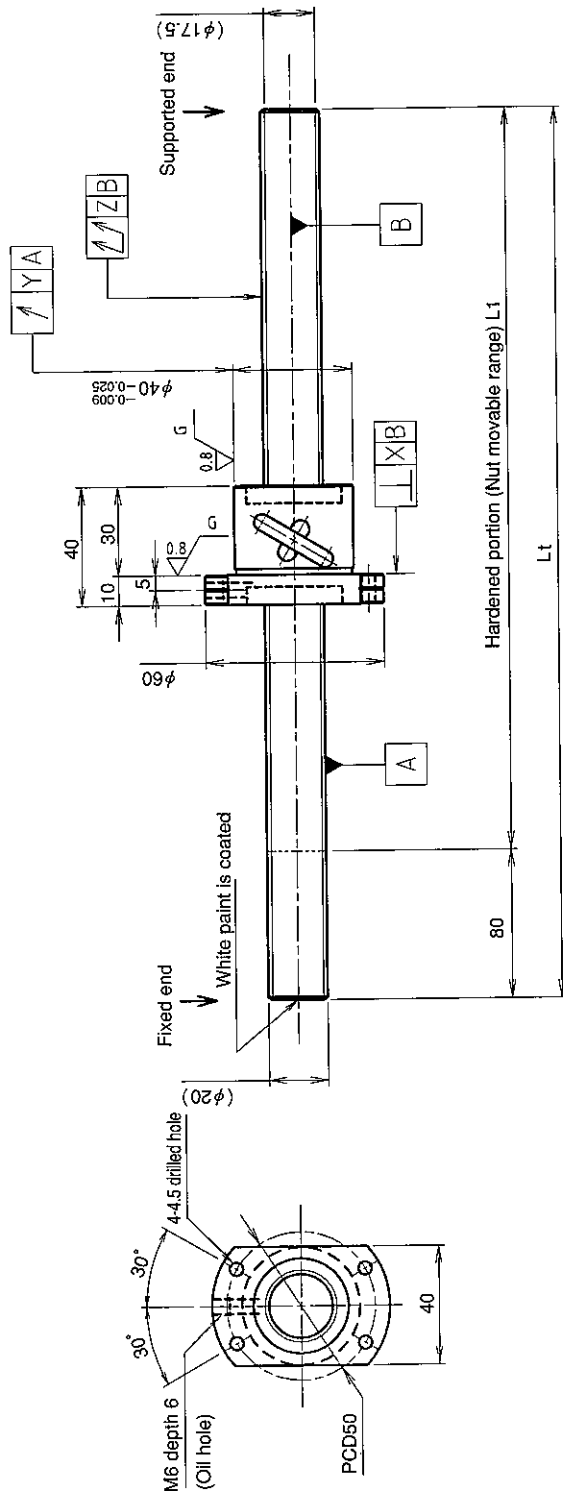


**UNFINISHED SHAFT ENDS**

**Screw shaft diameter  $\phi 20$ , Lead 5 (U nut)**

(Unit : mm)



**Ball screw specifications**

Screw shaft dia.	20	Basic dynamic load rating	6200N
Lead	5	Basic static load rating	14700N
Thread direction	Right-hand	Lubricant	Alvania Grease No.2
Number of circuits	2.5turn 1circuit	Surface treatment	Without
Ball diameter	3.175		

**Table of optional specifications for each model**

Additional machining of shaft end	Surface treatment (Note 1)	Difference of grease	Direction of nut removal	Wiper
○	○	○	○	○

(Note 1) The above-mentioned surface treatment is LD treatment (coating thickness : 1 to 2  $\mu\text{m}$ ).

Model No.	Axial clearance	L1	X	Y	Z	Wiper
GW2005DS-HULR-0600A	~0.030	520	0.025	0.025	0.070	
GW2005DS-HULR-1200A		1120	0.025	0.120	Lip seal	
GW2005DS-HULR-2000A		1920	0.025	0.270		

Notation of standard rolled ball screw

- Standard length shaft without end machining GW2005DS-HULR-□□□□A
- With end machining specified on your drawing GW2005DS-HULR-□□□□X□□□□-C7Y

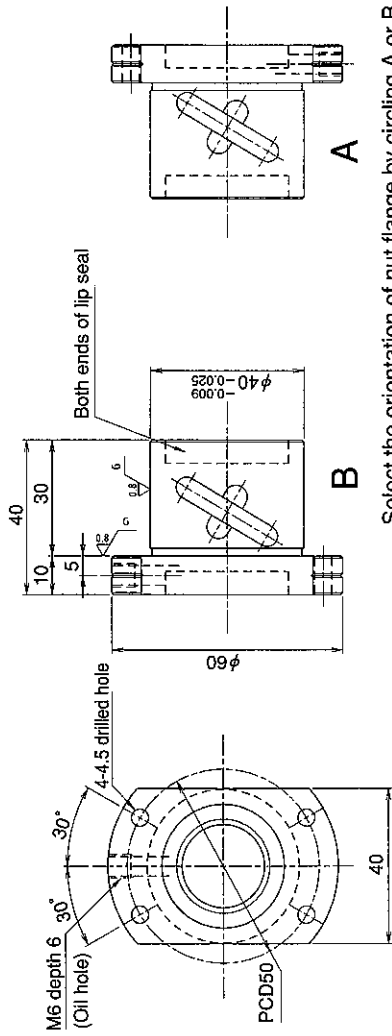
Overall length Thread length

**SHAFT END FINISH ORDERING SHEET**

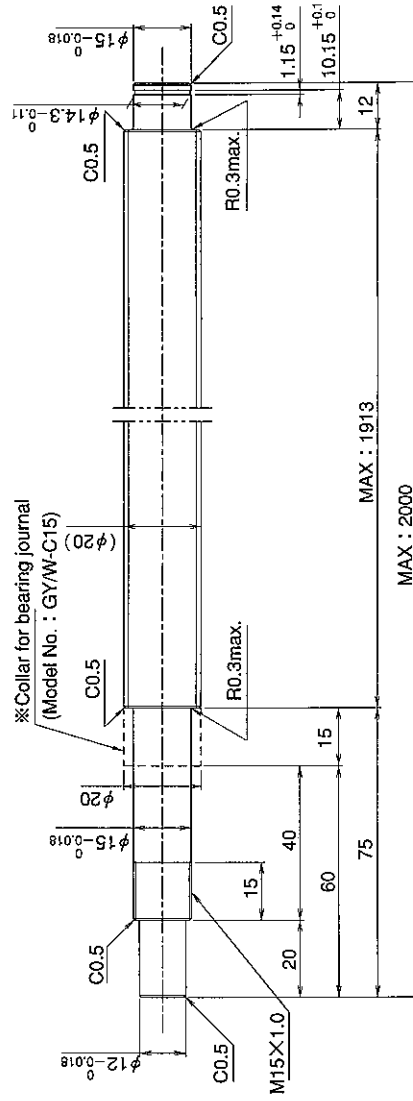
Screw shaft diameter  $\phi 20$ , Lead 5 (U nut)

(Unit : mm)

GW2005DS-HULR-     X     -C7Y



Select the orientation of nut flange by circling A or B.  
No marking means "B" orientation as default.



※ Please place an order for collar separately.

Applicable Support Unit

Direct mount : BUK-15A (Fixed end unit+Supported end unit) Refer to Page.406

Circle flange : BUM-15 (Fixed end unit+Supported end bearing) Refer to Page.413

Company Name	
Telephone	Name of Person in Charge
Company Address	