

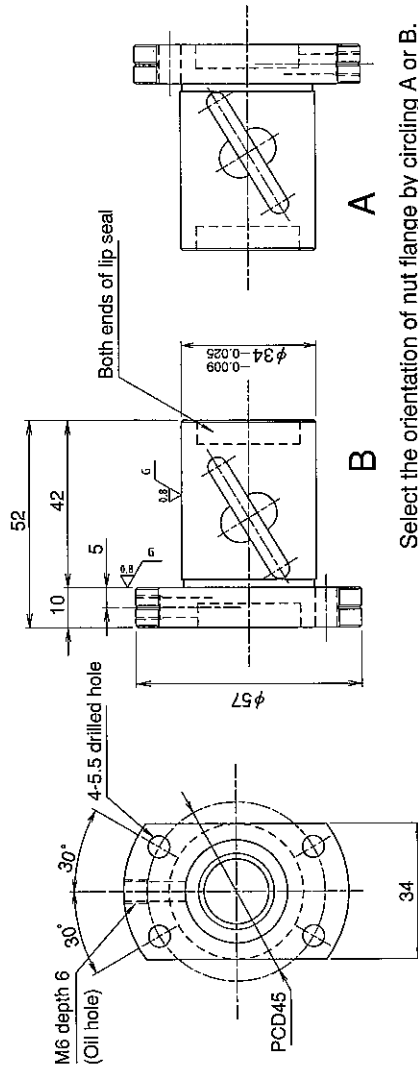


**SHAFT END FINISH ORDERING SHEET**

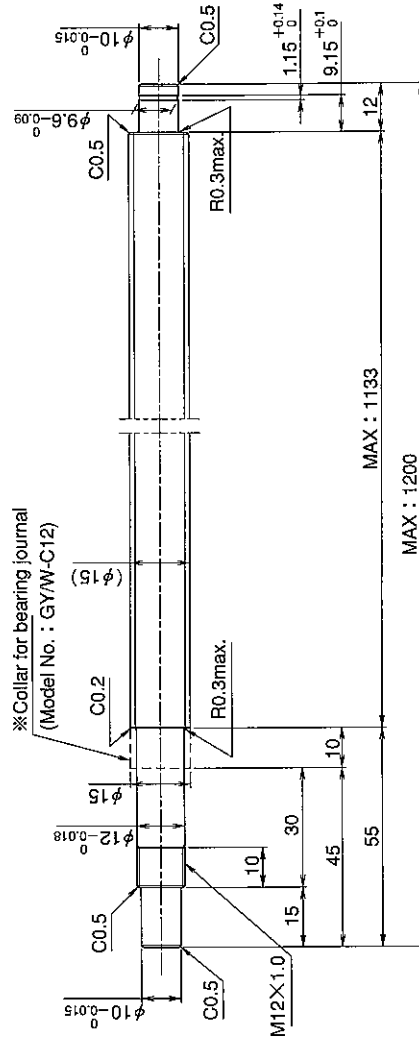
Screw shaft diameter  $\phi 15$ , Lead 10 (U nut)

(Unit : mm)

GW1510DS-HULR-     X    -C7Y



Select the orientation of nut flange by circling A or B.  
No marking means "B" orientation as default.



※ Please place an order for collar separately.

Applicable Support Unit

Direct mount : BUK-12A (Fixed end unit+Supported end unit) Refer to Page.405

Circle flange : BUM-12 (Fixed end unit+Supported end bearing) Refer to Page.412

Company Name	
Telephone	Name of Person in Charge
Company Address	